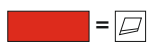
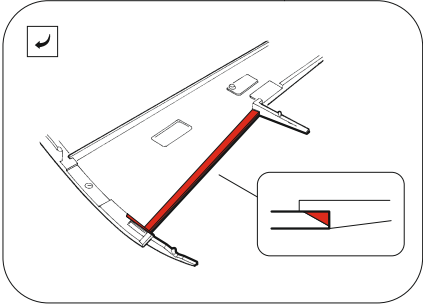
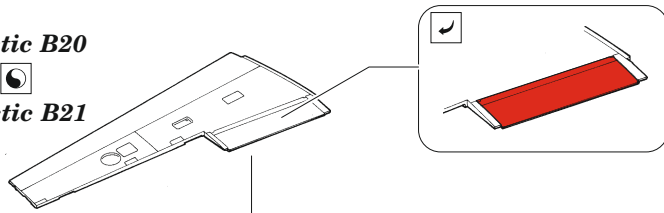
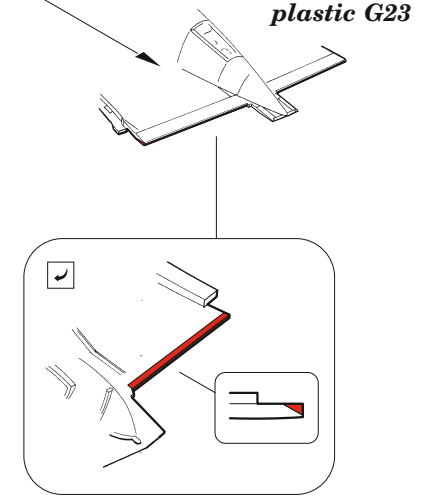
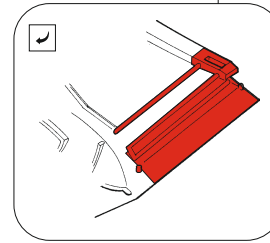
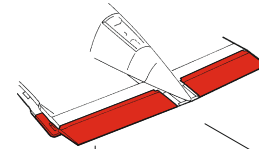


C

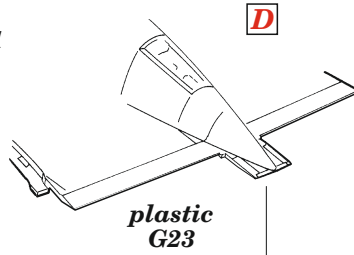
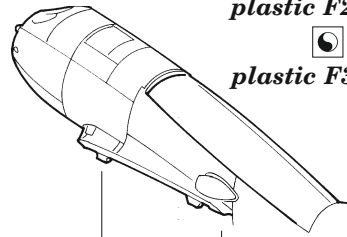
plastic B20
plastic B21

**D**

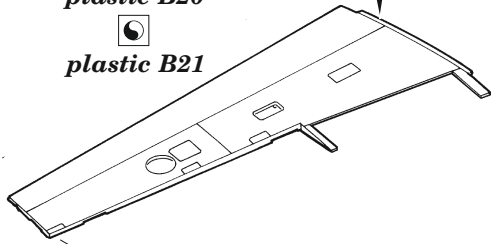
plastic G23

**5**

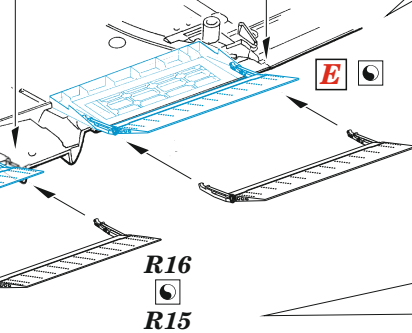
plastic F28, F29
plastic F30, F31



plastic B20
plastic B21



plastic A1

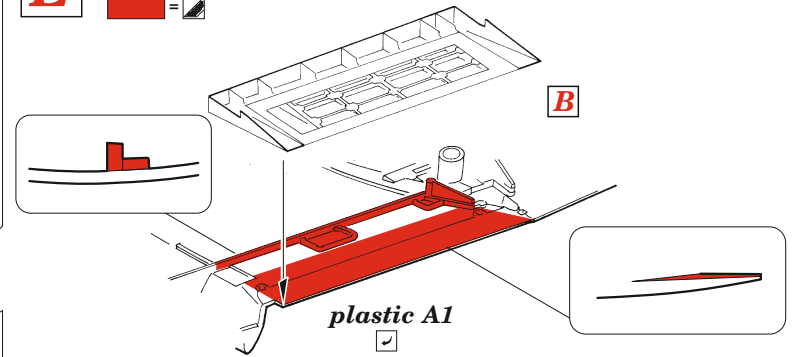
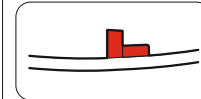


R14
R13

R16
R15

E

RIGHT INSIDE FLAP LEFT INSIDE FLAP

**F**

RIGHT OUTSIDE FLAP LEFT OUTSIDE FLAP

