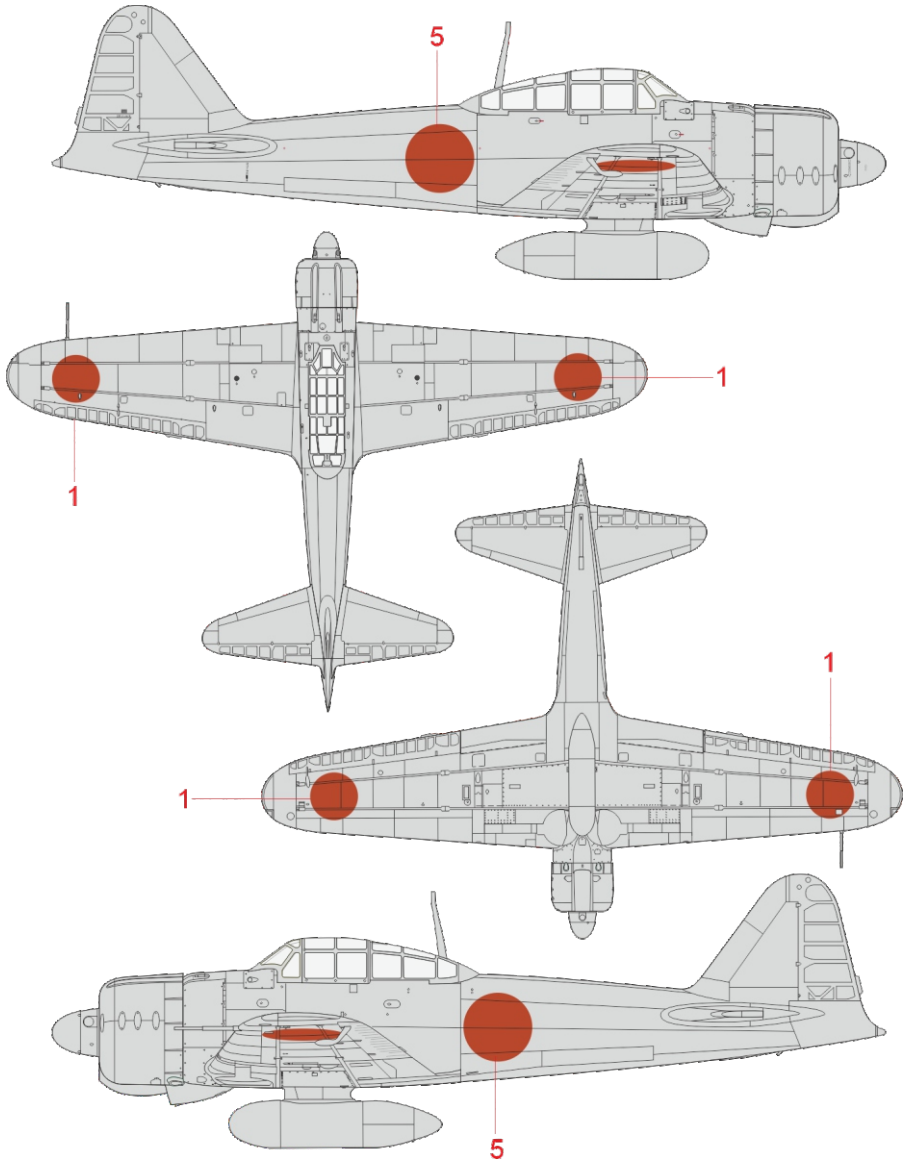


SCALE
1/48

A6M2 national insignia

ITEM #
D48100



DESIGNED EXCLUSIVELY FOR A6M2 BY EDUARD



Eduard - Model Accessories, 435 21 Obrnice 170,
Czech Republic

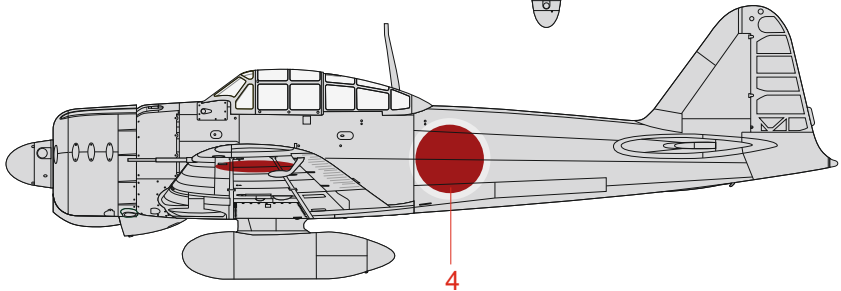
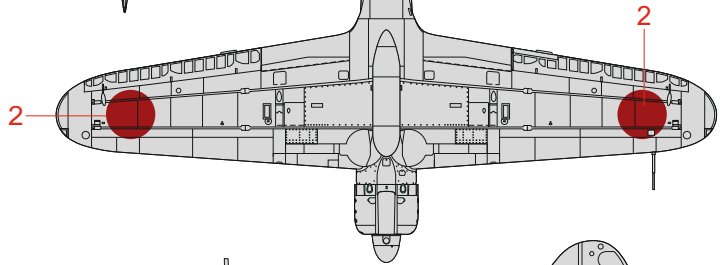
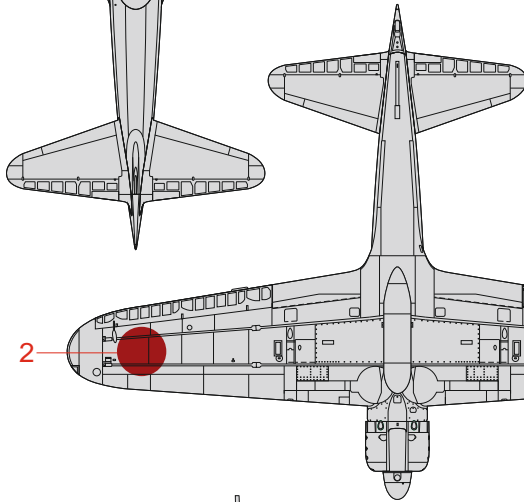
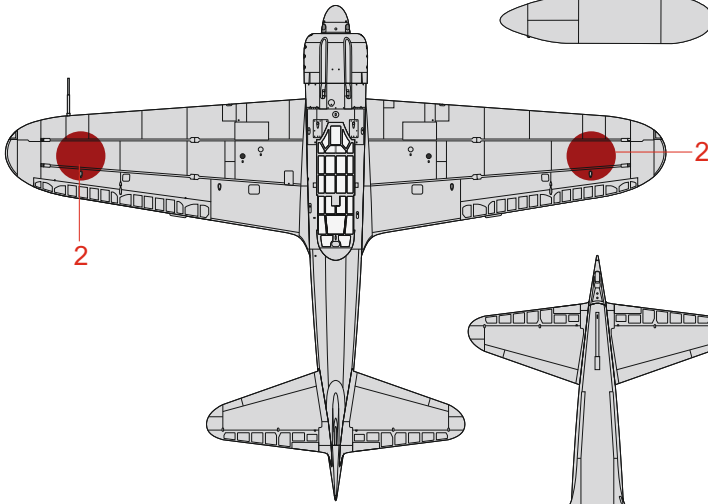
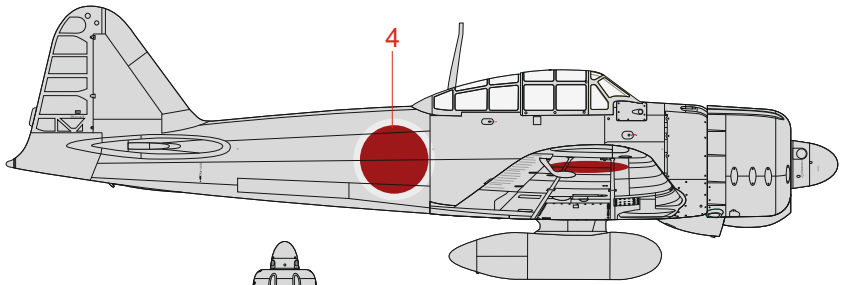
WWW.EDUARD.COM

D48100

A6M2 national insignia 1/48



8 591437 566624

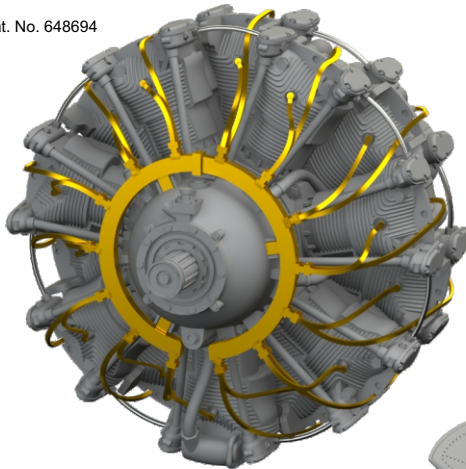


Recommended accessories for A6M2 Zero Type 21

- 481076 A6M2 landing flaps (PE-Set)
- 481077 A6M2 upgrade set (PE-Set)
- FE1238 A6M2 seatbelts STEEL (PE-Set)
- 644128 A6M2 LööK (Brassin)
- 648693 A6M2 wheels (Brassin)
- 648694 A6M2 engine PRINT (Brassin)
- 648695 A6M2 undercarriage legs BRONZE (Brassin)
- 648698 A6M2 seat PRINT (Brassin)
- 648722 A6M2 exhausts PRINT (Brassin)
- 648723 A6M2 cannon barrels and cockpit guns PRINT (Brassin)
- 648724 A6M2 landing flaps PRINT (Brassin)
- 3DL48050 A6M2 SPACE (3D Decal Set)
- EX821 A6M2 TFace (Mask)
- 648692 A6M2 Zero Model 21 cockpit PRINT (Brassin)
- 648731 A6M2 Zero Model 21 folding wingtips PRINT (Brassin)



Cat. No. 648694

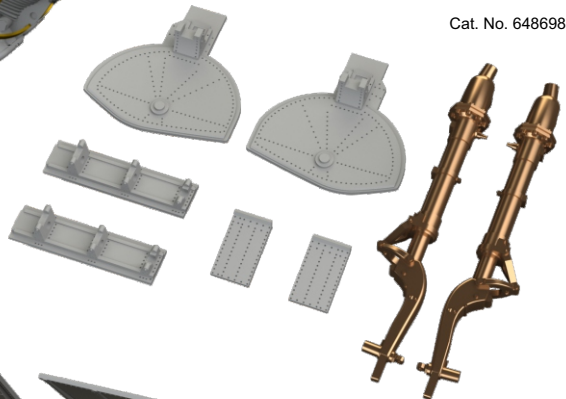


Cat. No. 648698



Cat. No. 648698

Cat. No. 648723



Cat. No. 648724

