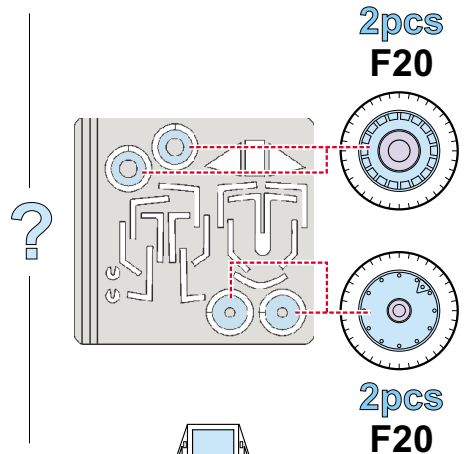
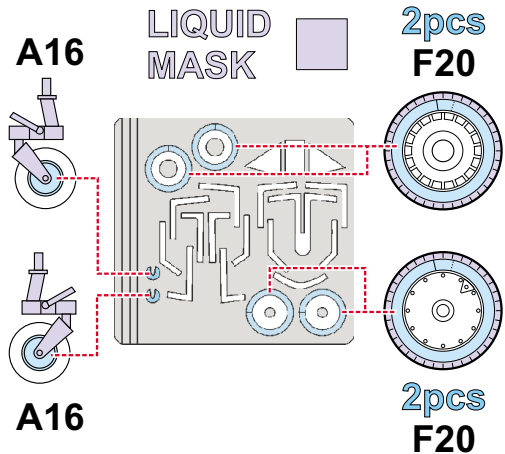
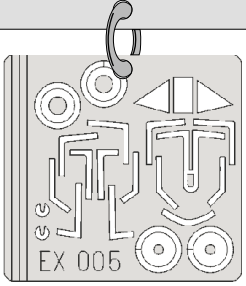


eduard
MASK

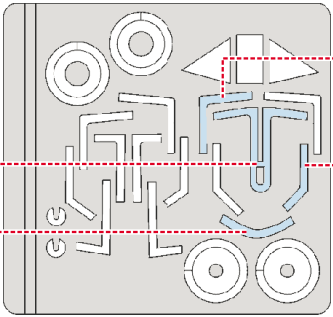
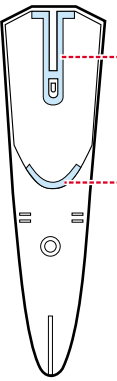
EX 005

Fw-190D

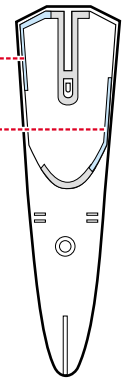
The die-cut mask for accurate canopy frame painting of the
Tamiya 1/48 KIT



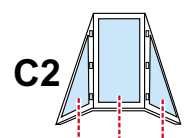
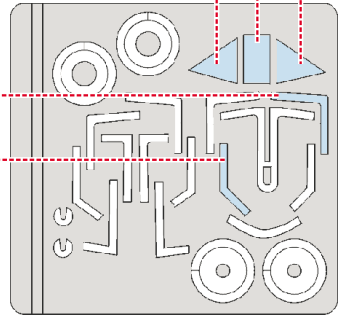
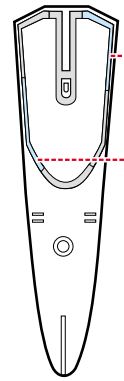
1.) C3



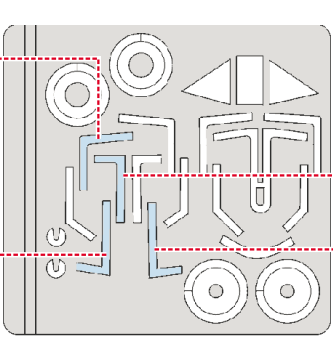
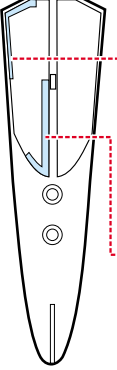
2.) C3



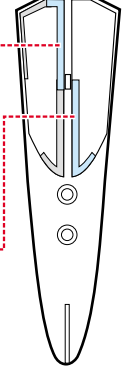
3.) C3



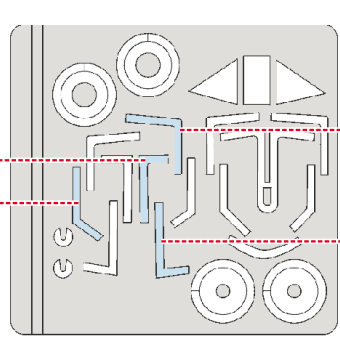
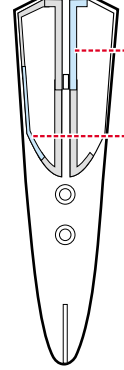
1.) C4



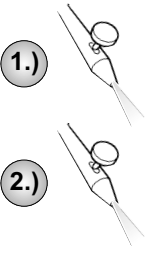
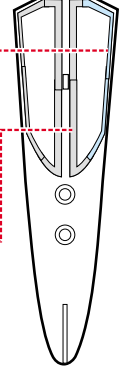
2.) C4



3.) C4

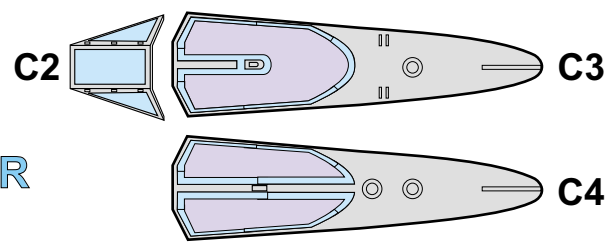


4.) C4



INTERIOR COLOR

CAMOUFLAGE COLOR



LIQUID MASK 

REFERENCES: Squadron/Signal Publ.: Walk Around # 10 - Fw 190D
Aero Detail # 2 - Focke-Wulf Fw190D