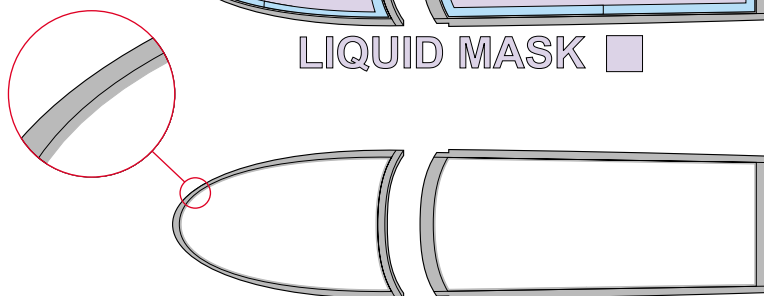
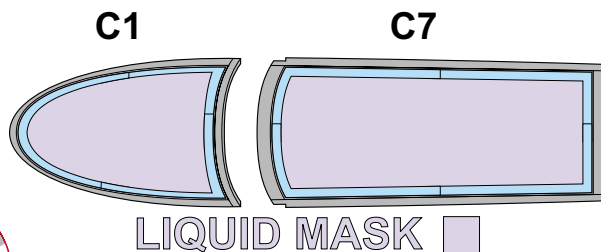
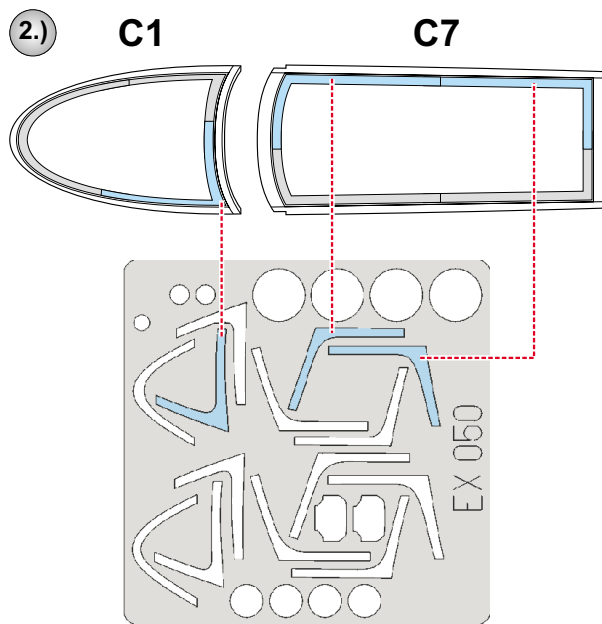
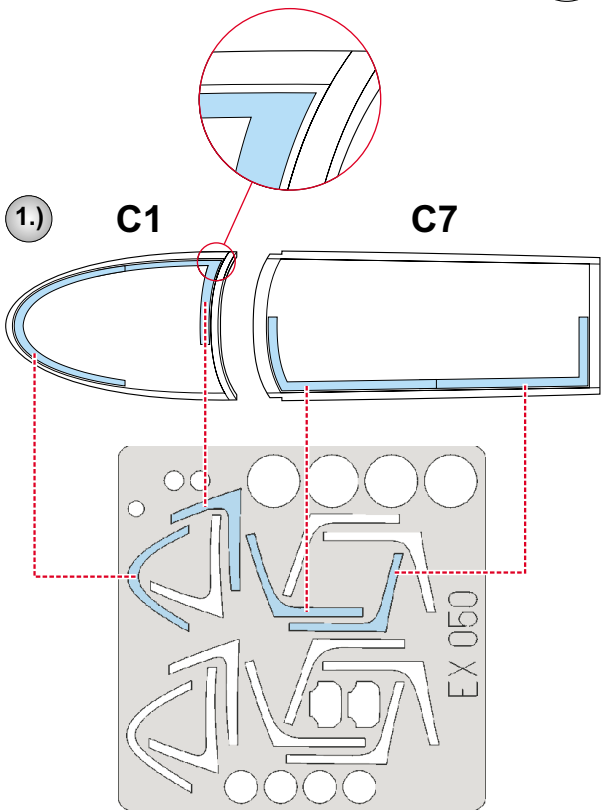
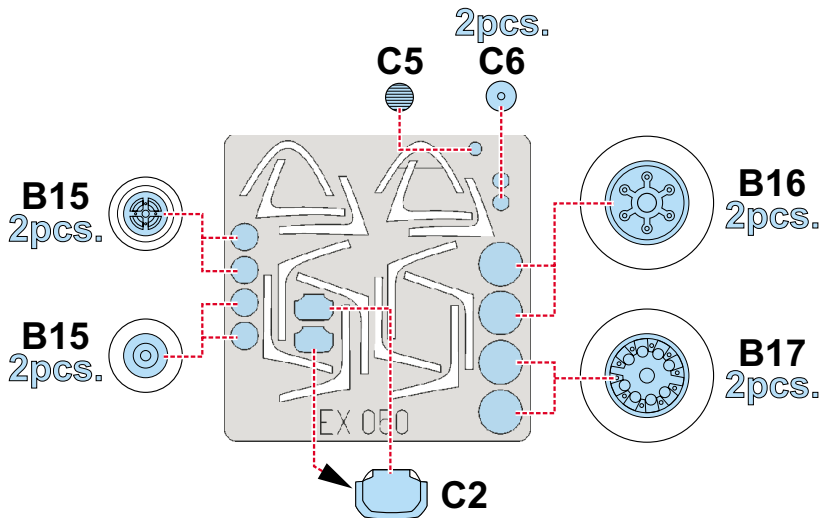
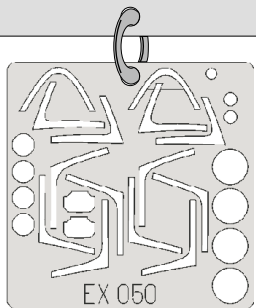


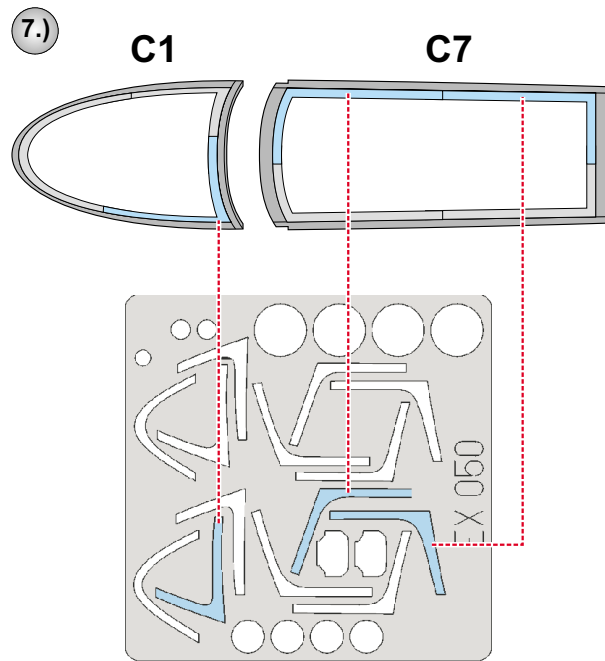
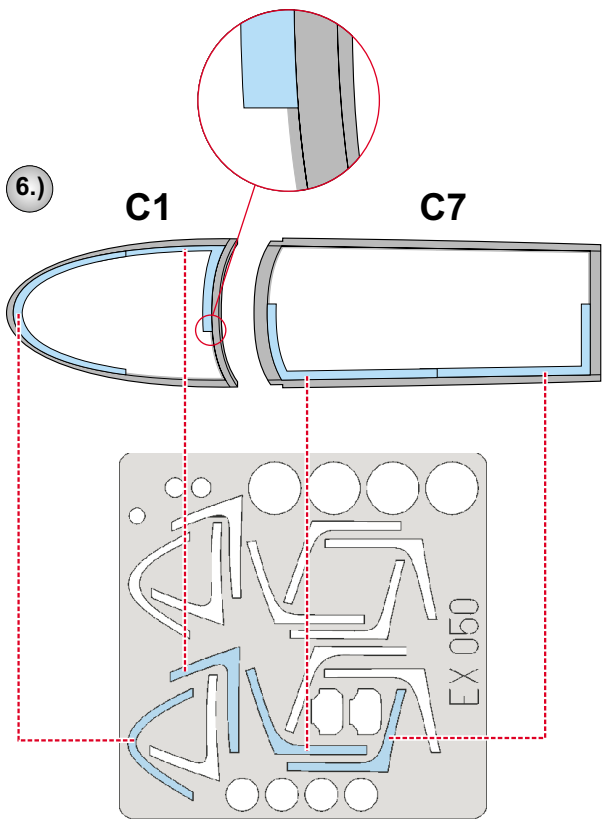
eduard
MASK

JAS-39 Gripen 1/48

The die-cut mask for accurate canopy frame painting of the
Italeri 1/48 KIT

EX 050

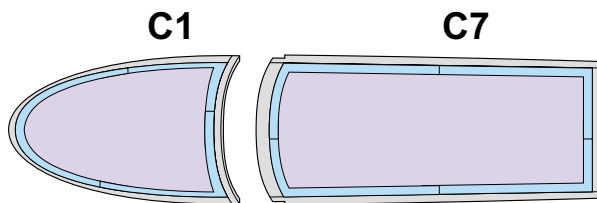




12.)



CAMOUFLAGE COLOR



LIQUID MASK ■

8.)

REMOVE MASK

