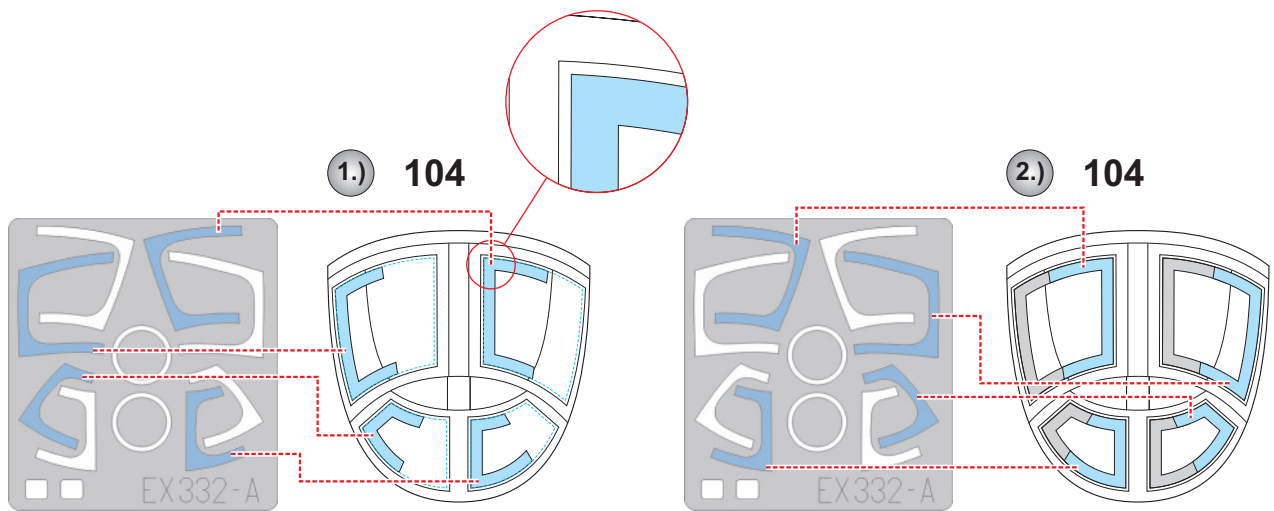
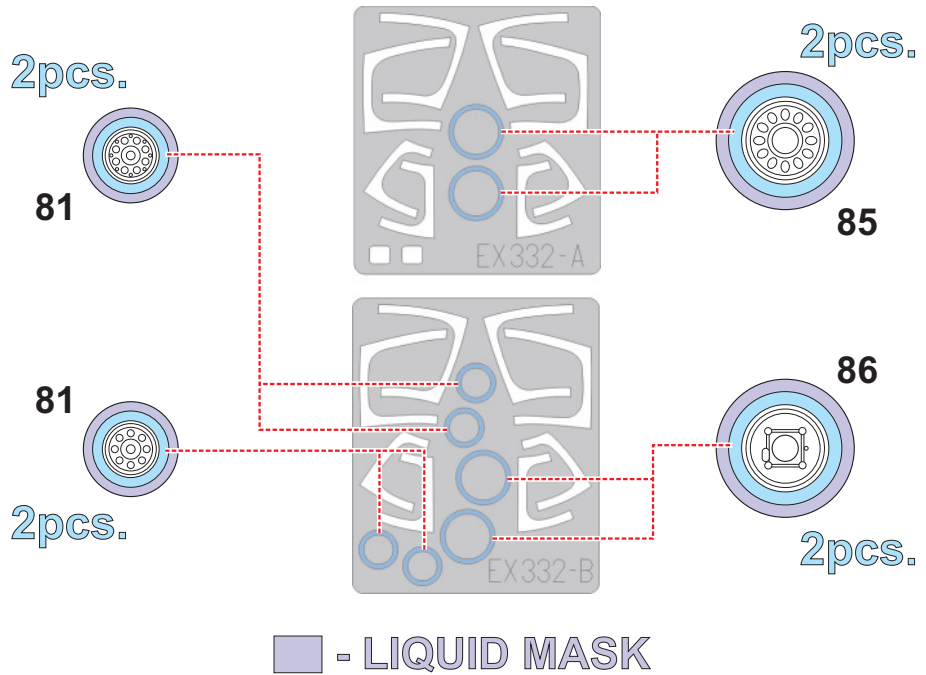
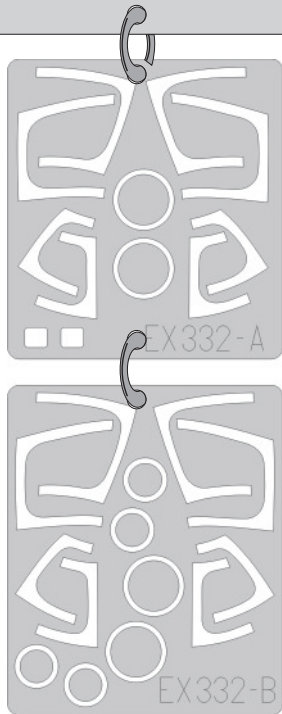


eduard
Express Mask

S-3 1/48

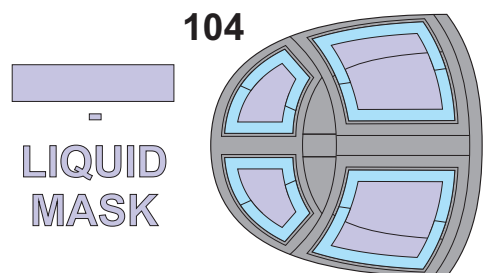
The die-cut mask for accurate canopy frame painting of the
Italeri *scale 1/48 KIT*

EX 332

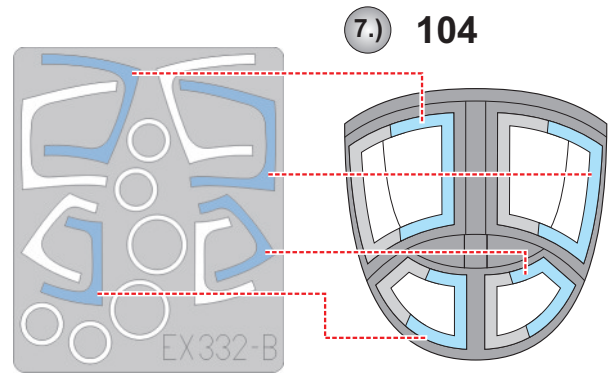
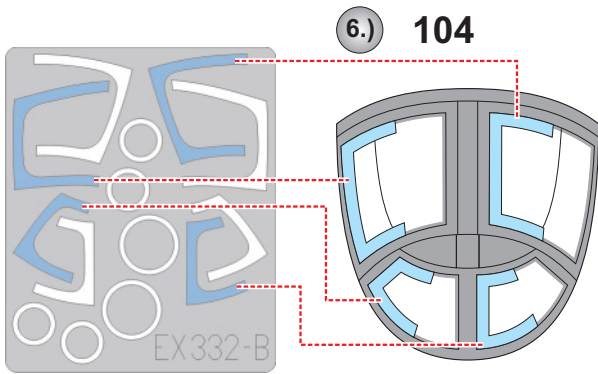
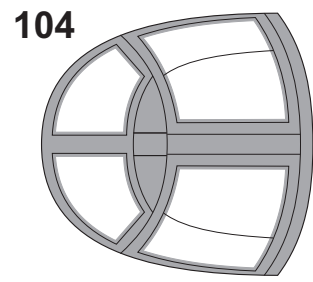


3.)  **INTERIOR COLOR**

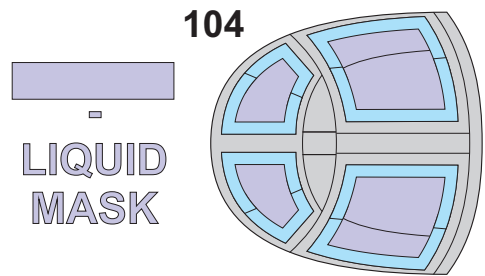
4.)  **RUBBER COLOR**



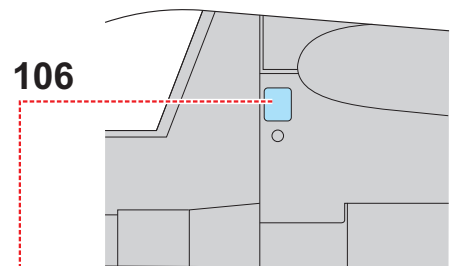
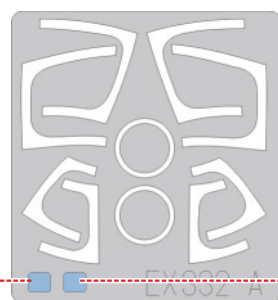
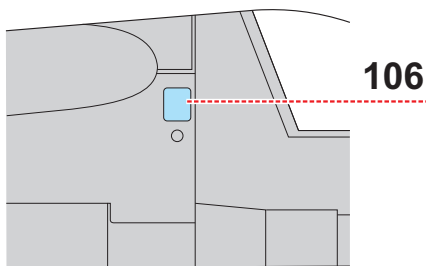
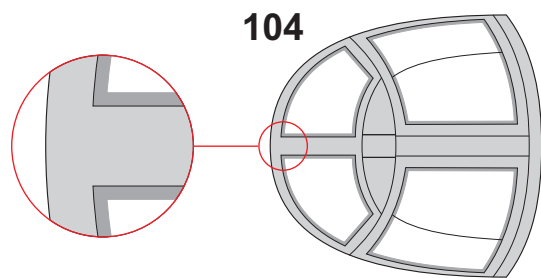
5.) REMOVE MASK



8.) CAMOUFLAGE COLOR



9.) REMOVE MASK



REFERENCES: Concord Publ. #1019 - U.S. AIRPOWER AT SEA
Replic #50/octobre 1995