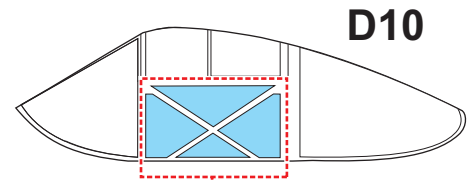
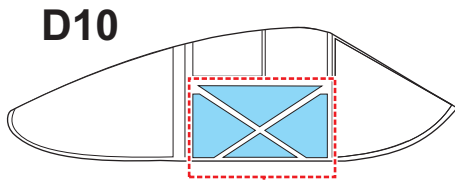
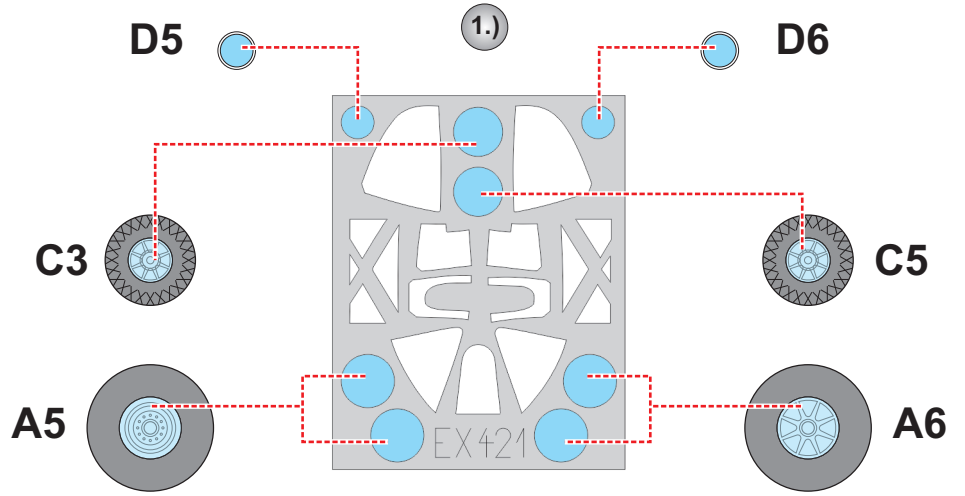
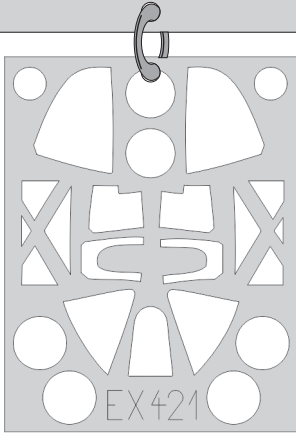


**eduard**  
**MASK**

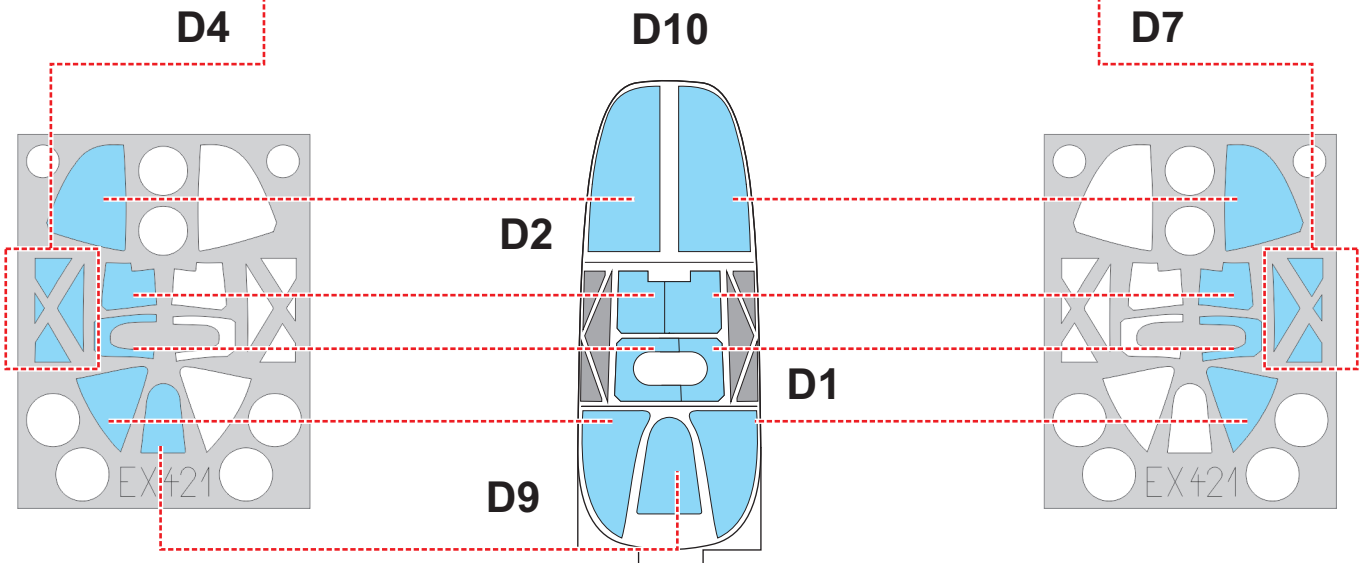
# P-38 L 1/48

The die-cut mask for accurate canopy frame painting of the  
*Hobby Boss* scale 1/48 KIT

**EX 421**

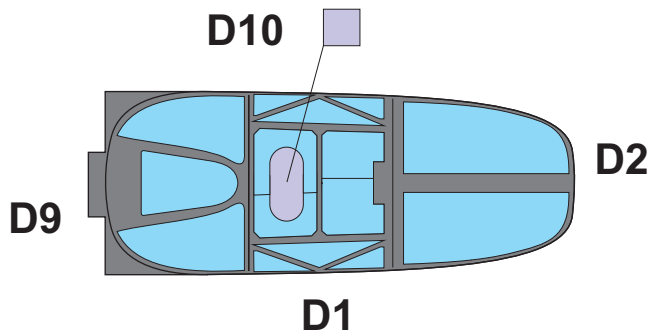


2.)



3.)

LIQUID MASK



4.)

