

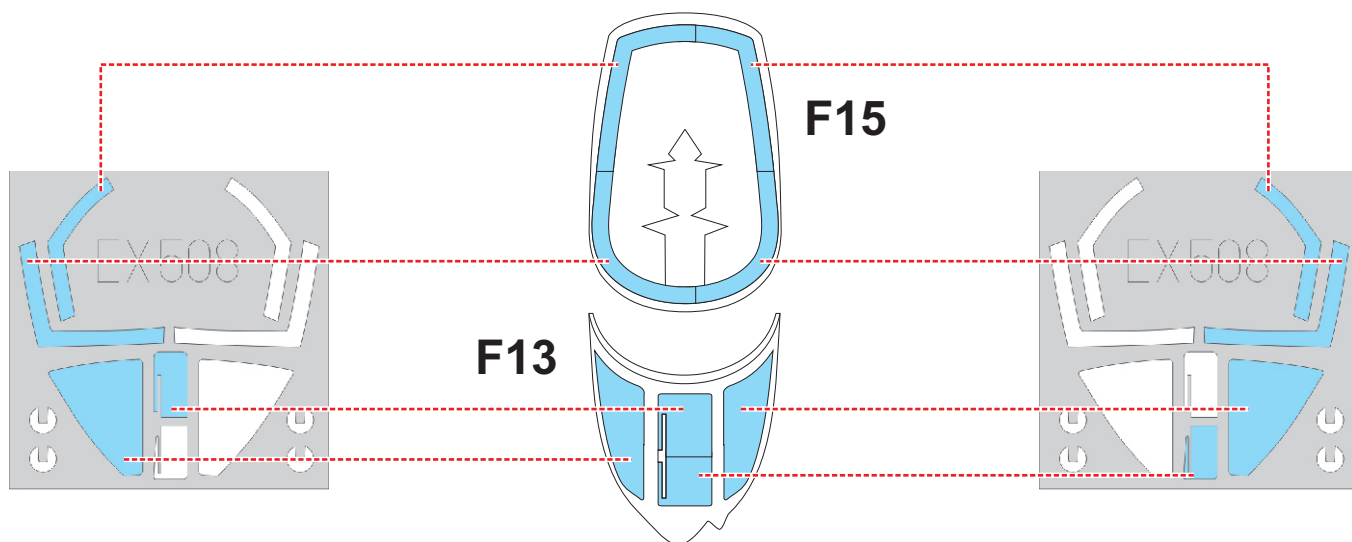
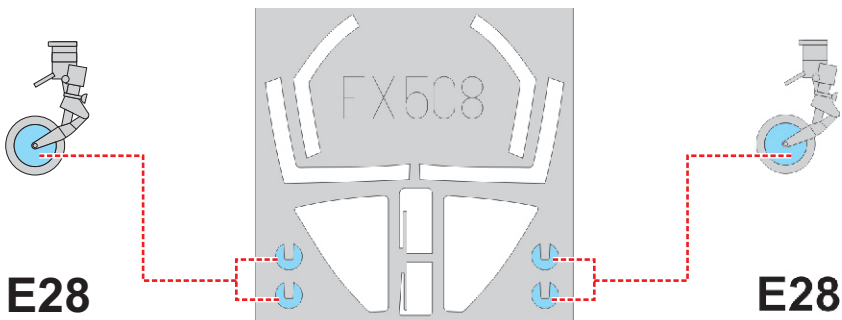
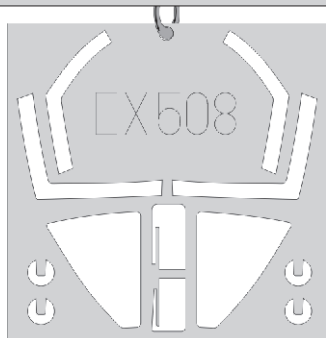
**eduard**  
**MASK**

**EX 508**

# Sea Harrier FRS.1 1/48

The die-cut mask for accurate canopy frame painting of the *Kinetic K48035* scale 1/48 KIT

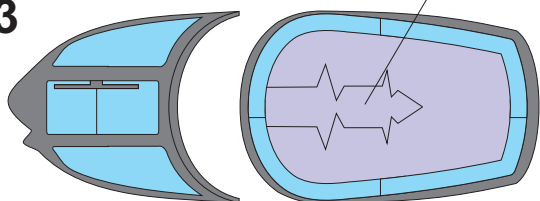
1.)



2.)

LIQUID MASK

F13



F15

3.)

