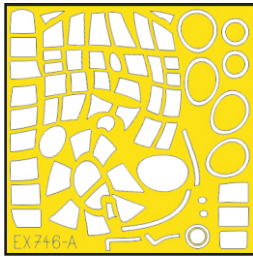
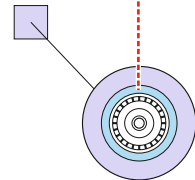


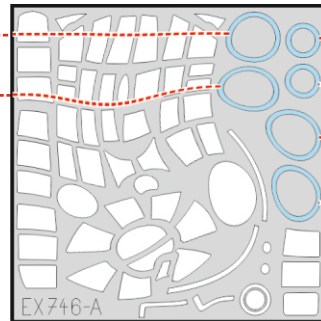
# Ju 188 TFace



LIQUID MASK



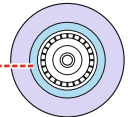
**F4**



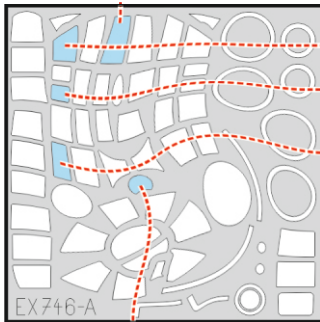
**A10**



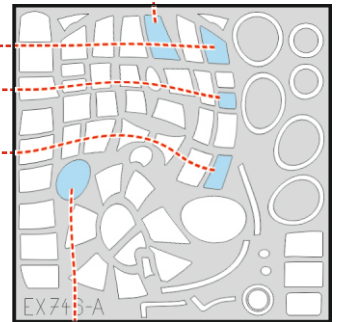
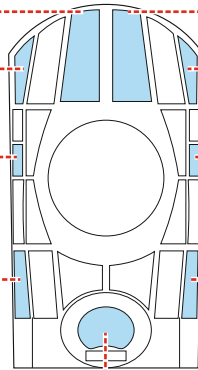
**F5**



**OUTSIDE**



**J2**



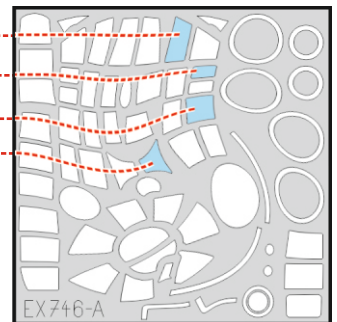
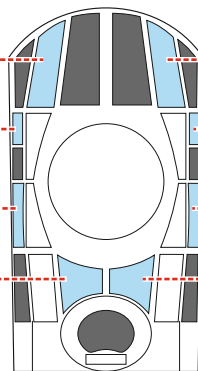
**G6**



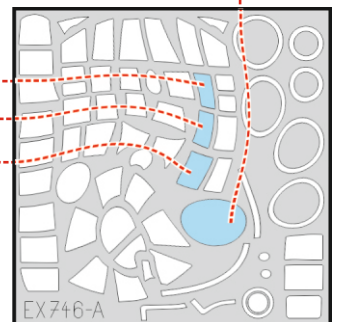
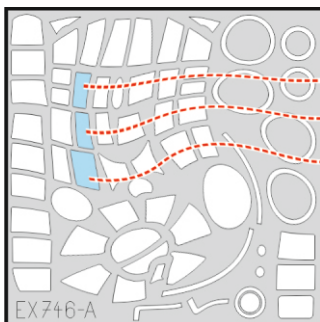
**G5**



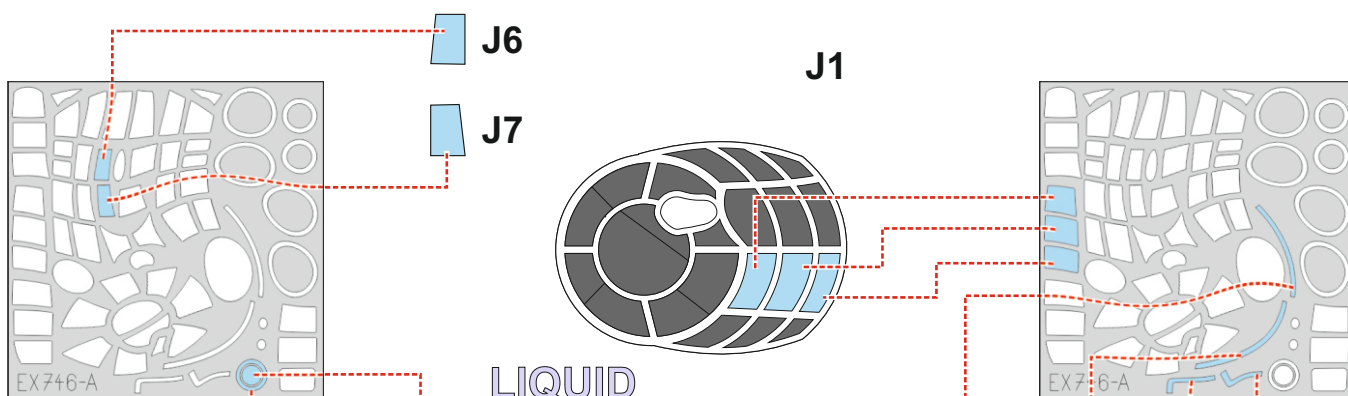
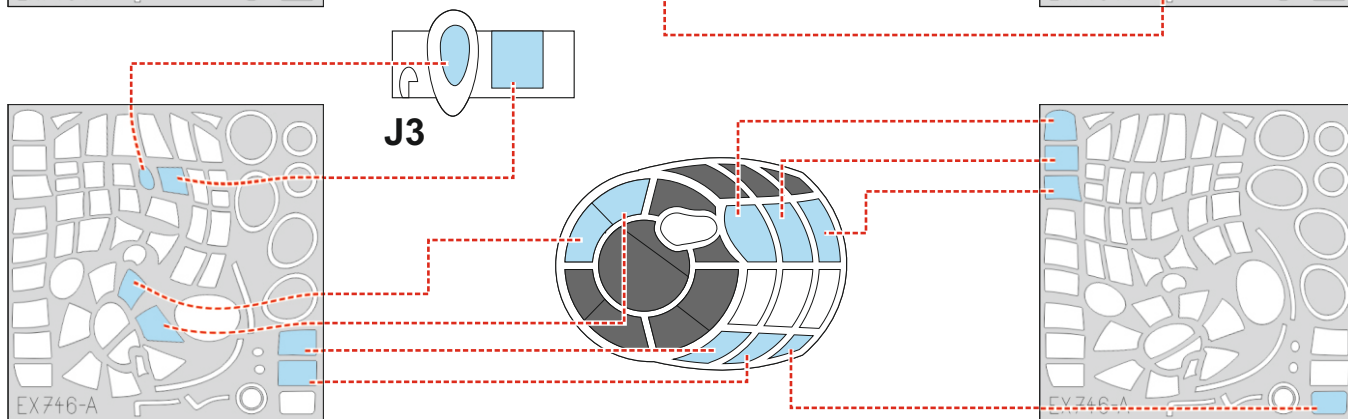
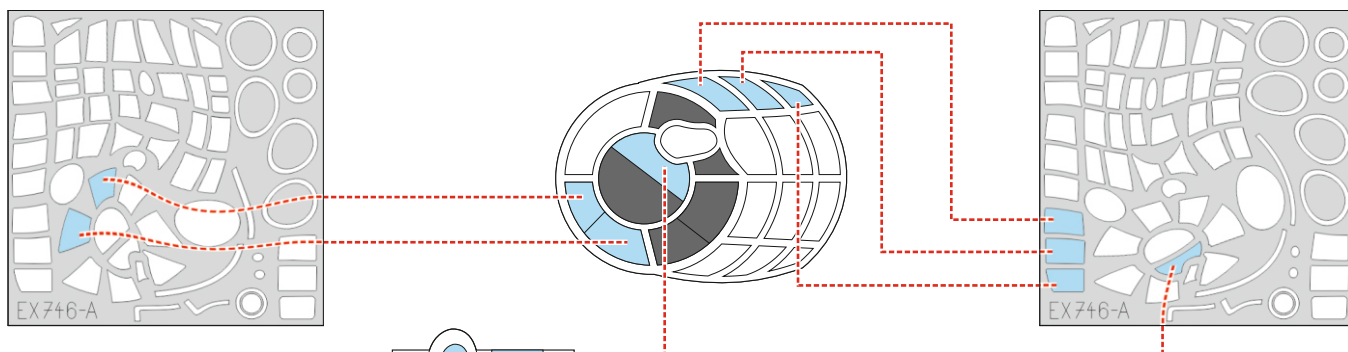
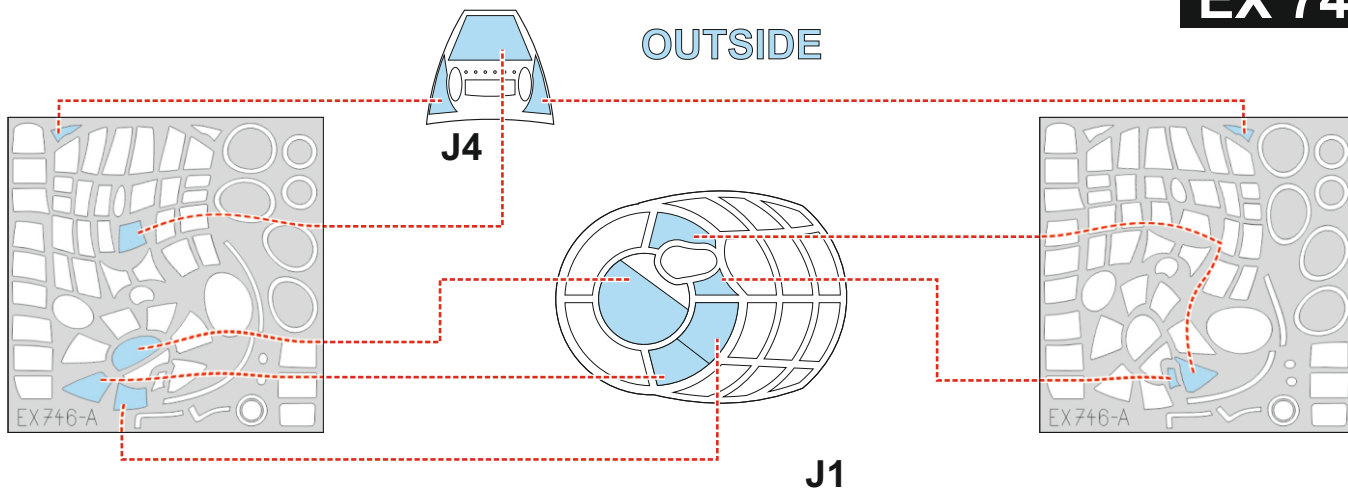
**J2**



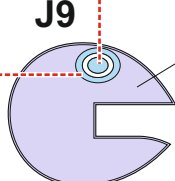
**J5**



OUTSIDE

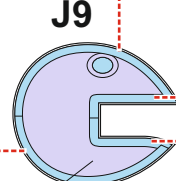


1.)



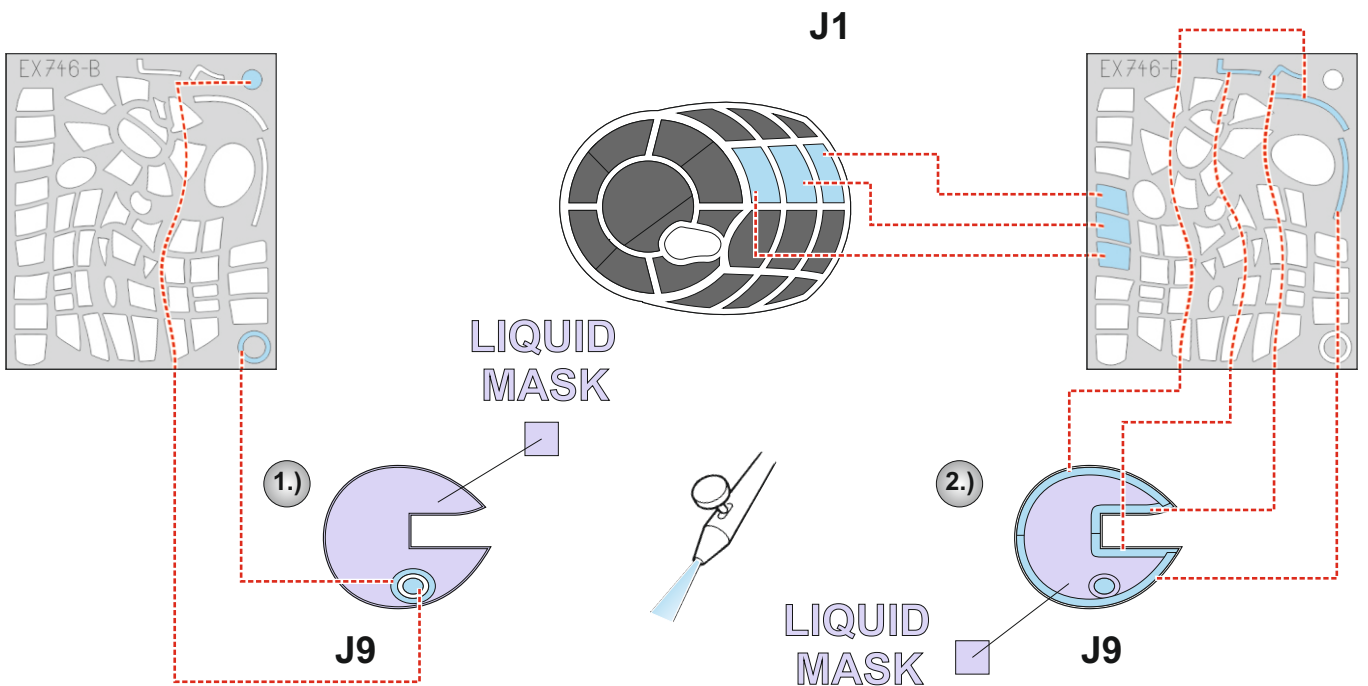
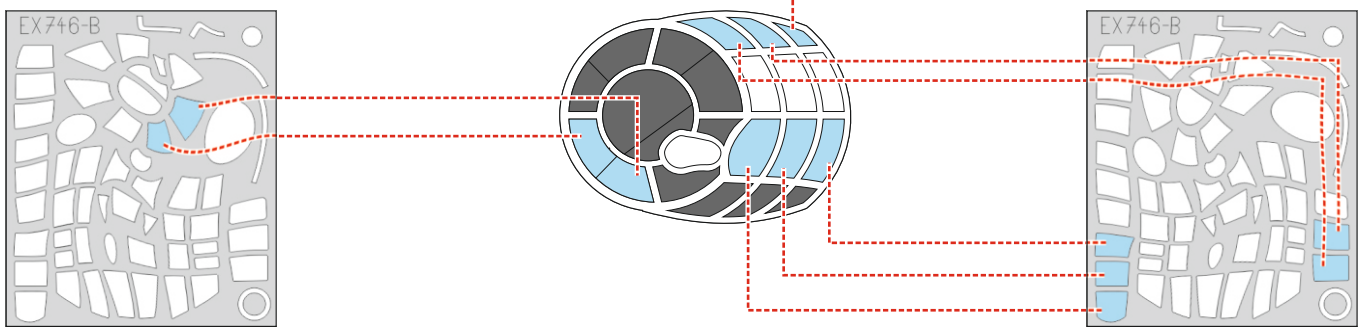
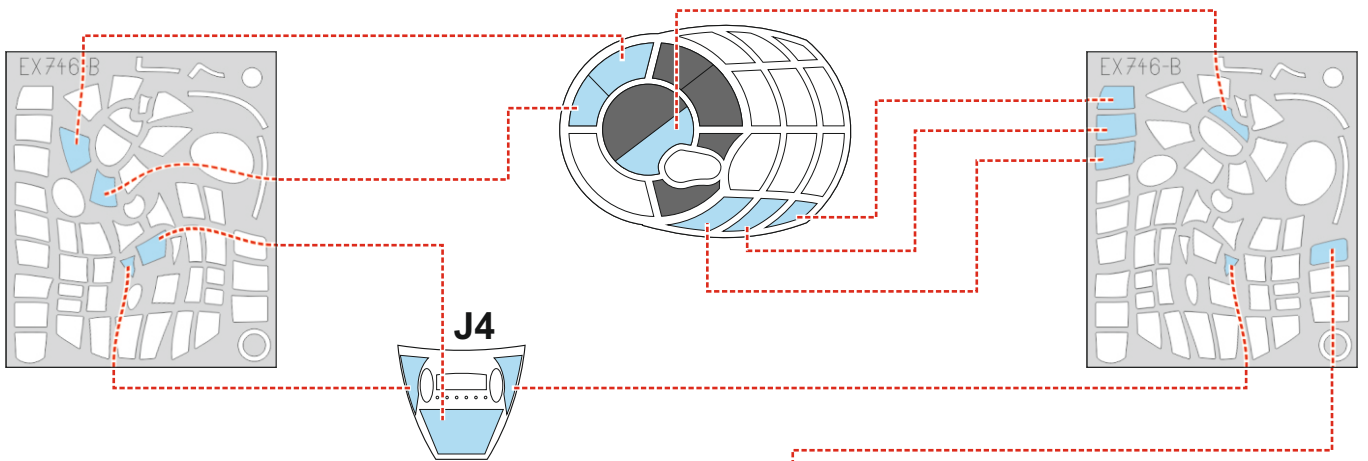
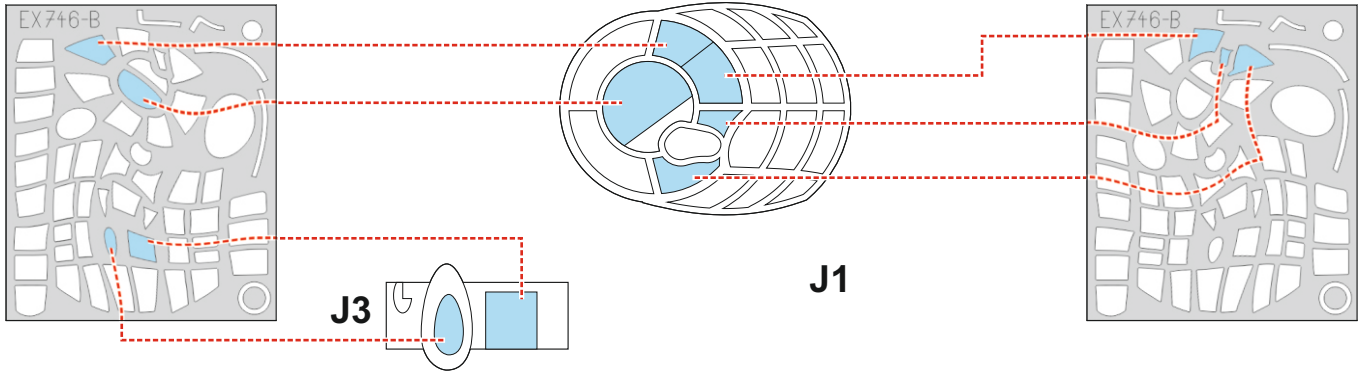
LIQUID MASK

2.)

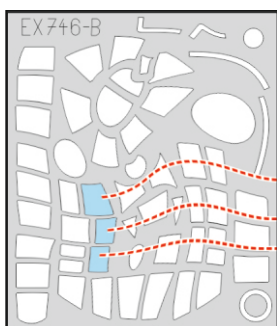
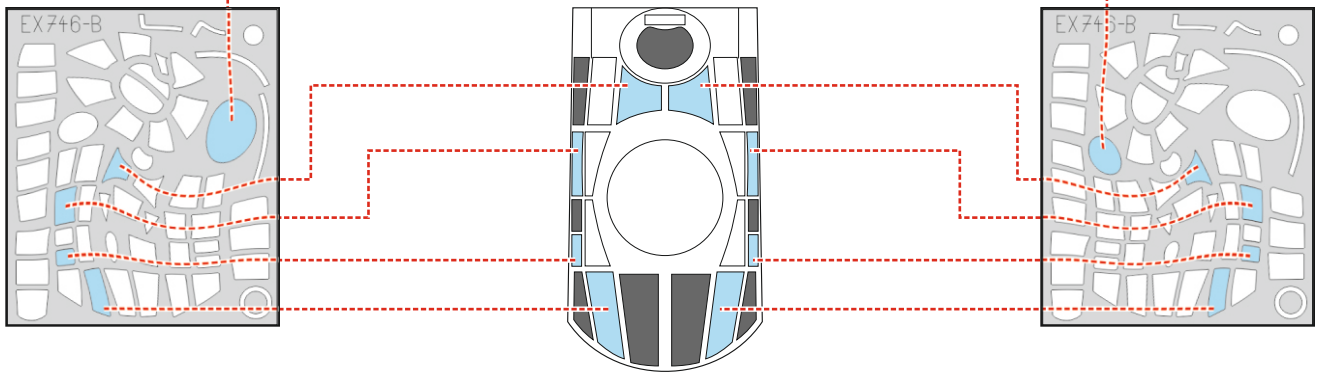
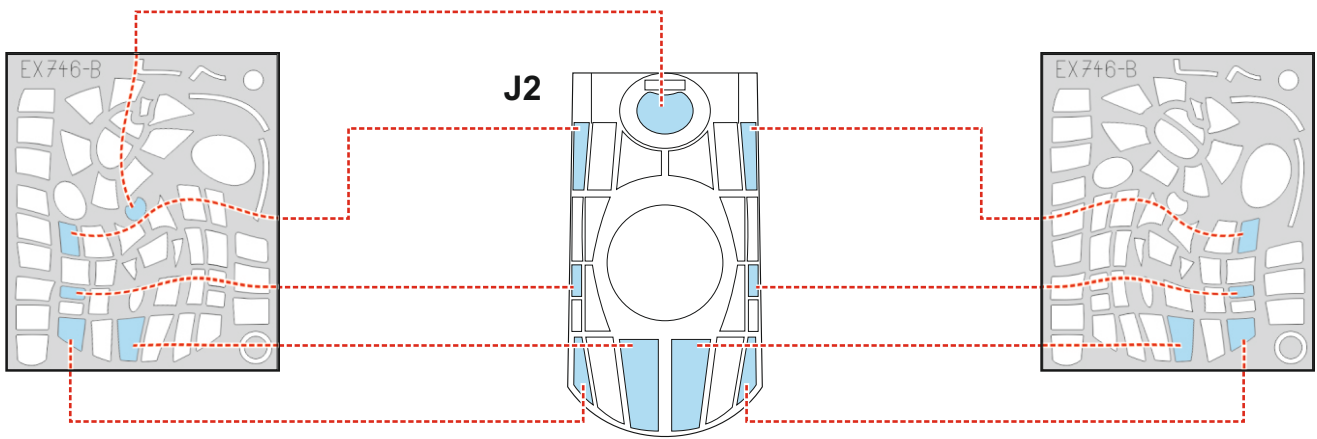


LIQUID MASK

INSIDE



**INSIDE**



**J2**

EX746-B