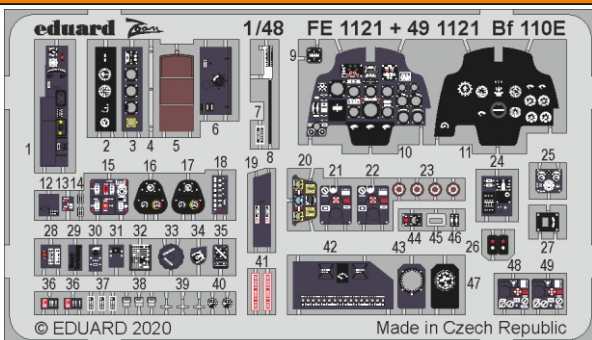




# Bf 110E

detail set for 1/48 DRAGON kit • sada detailů pro stavebnici 1/48 DRAGON

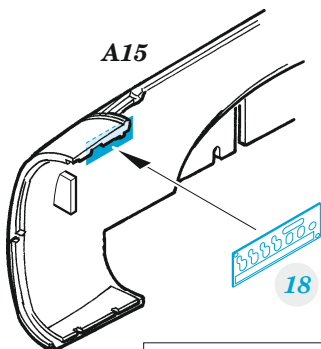
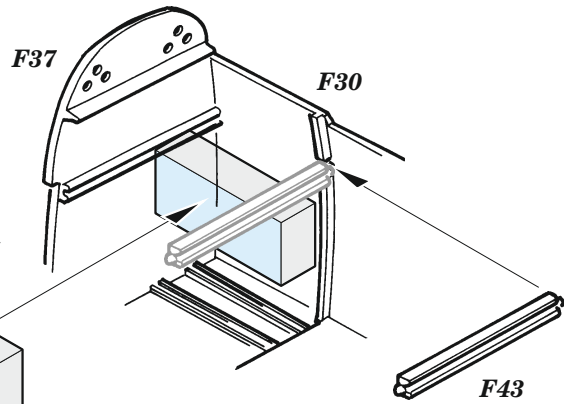
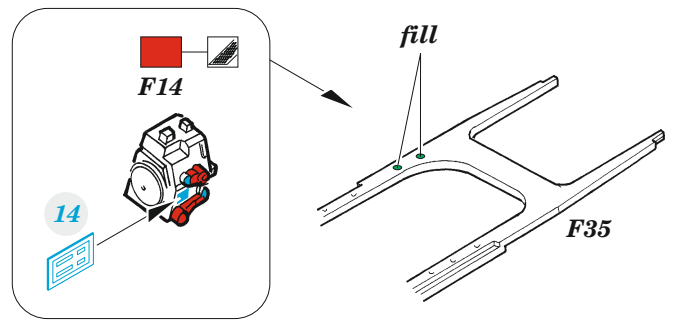
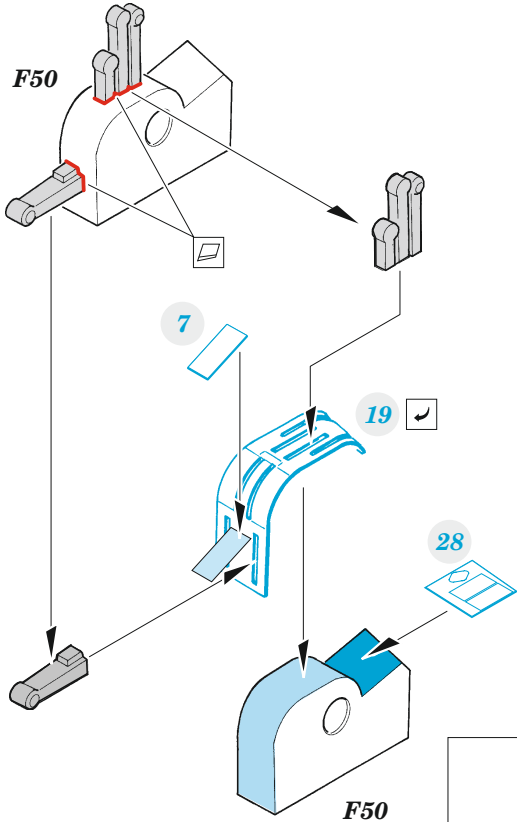
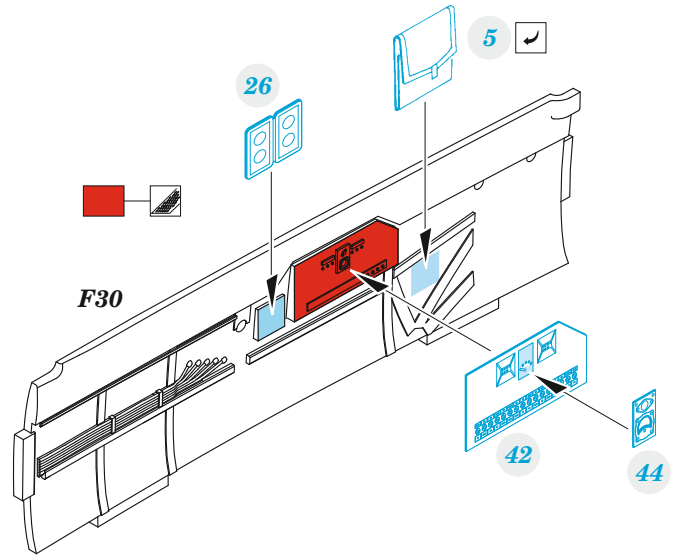
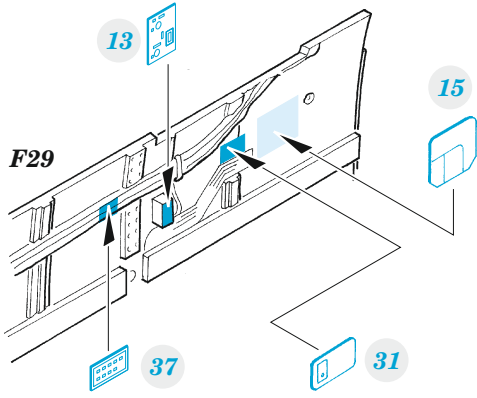


- APPLY EXPRESS MASK AND PAINT BEFORE GLUING  
POUŽIT EXPRESS MASK NABARVIT PŘED SLEPENÍM
- SYMMETRICAL ASSEMBLY  
SYMETRICKÁ MONTÁŽ
- REMOVE  
ODSTRANIT
- GRIND  
OBROUSIT
- DRILL HOLE  
VRTAT OTVOR
- BEND  
OHNOUIT
- OPTION  
VOLBA
- REPLACE  
NAHRADIT
- 1** COLORED ETCHED PARTS  
LEPTANÉ BAREVNÉ DÍLY
- 1** ETCHED PARTS  
LEPTANÉ NEBAREVNÉ DÍLY
- 1** ORIGINAL KIT PARTS  
PŮVODNÍ DÍLY STAVEBNICE

ORIGINAL KIT PARTS PŮVODNÍ DÍLY STAVEBNICE      PHOTO-ETCHED PARTS LEPTANÉ DÍLY      PARTS TO BE REMOVED DÍLY K ODSTRANĚNÍ      FILL TMEELIT

The main assembly diagrams are organized into several panels:

- Top Left:** Shows the installation of parts 11, 10, 24, 46, and 20 into the fuselage section F32.
- Top Middle:** Shows the installation of parts 2 and 3 into the fuselage section F58.
- Top Right:** Shows the installation of part 45 into the fuselage section F55.
- Middle Left:** Shows the installation of part 29 into the fuselage section F45.
- Middle Right:** Shows the installation of parts 16 and 17 into the fuselage section H1, and part 12 into the fuselage section F23.
- Bottom Left:** Shows the installation of parts 39 (2 pcs.), 35, 40, 38 (2 pcs.), and 46 into the fuselage section F46.
- Bottom Right:** Shows the installation of parts 23, 49, 47, 43, 25, 22, 21, and 23 into the fuselage section F39.



∅ 2,0 x 3,5 x 7,8 mm  
plastic

