



# F-4B interior

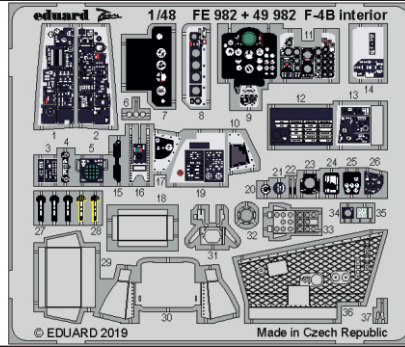
eduard

**FE 982**

**1/48**

detail set for 1/48 ACADEMY kit • sada detailů pro stavebnici 1/48 ACADEMY

film



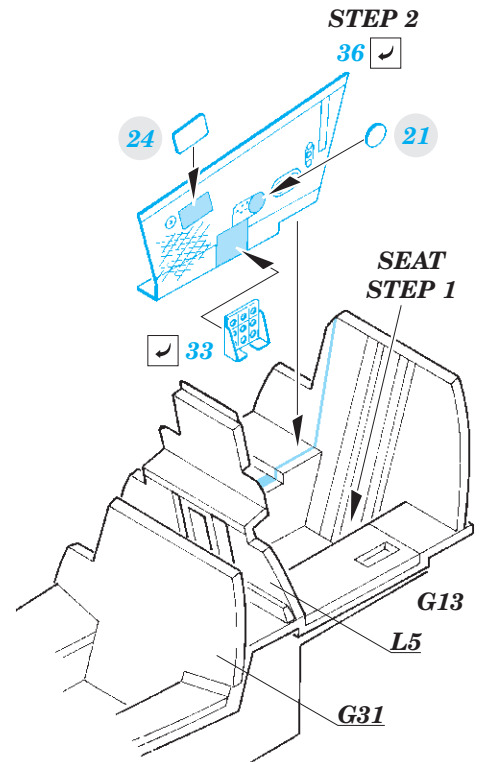
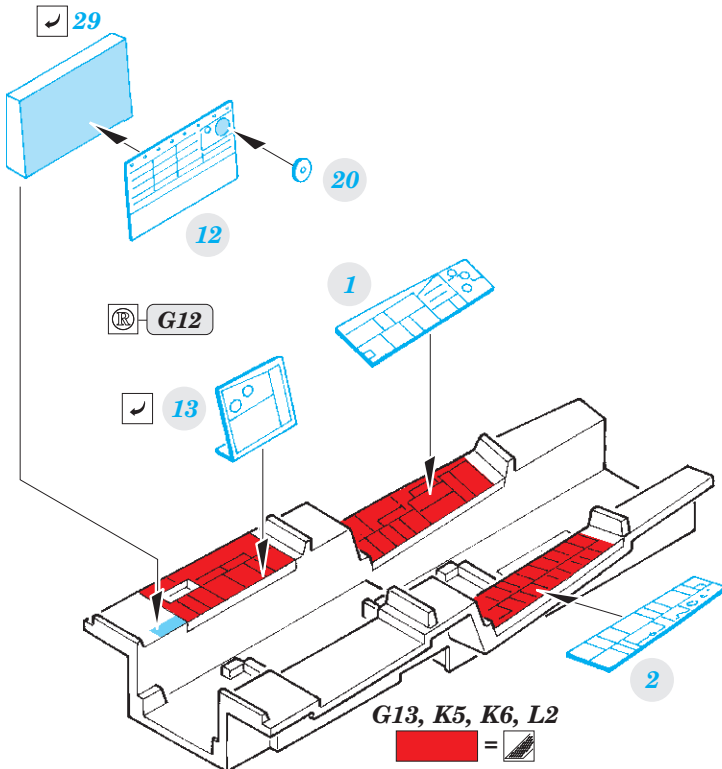
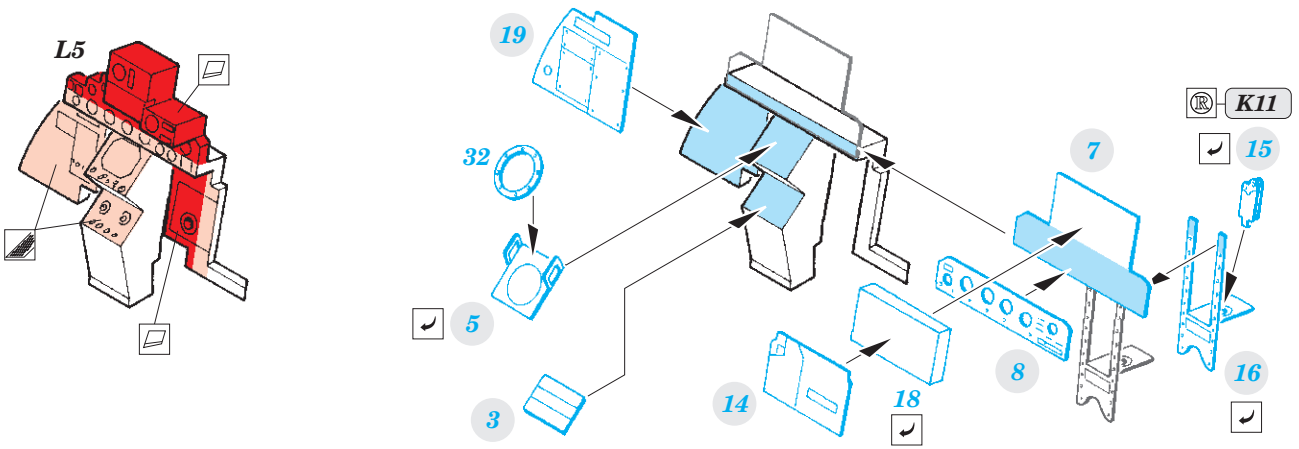
- APPLY EXPRESS MASK AND PAINT BEFORE GLUING  
POUŽIT EXPRESS MASK NABARVIT PŘED SLEPENÍM
  - SYMMETRICAL ASSEMBLY  
SYMETRICKÁ MONTÁŽ
  - REMOVE  
ODSTRANIT
  - GRIND  
OBROUSIT
  - DRILL HOLE  
VRTAT OTVOR
  - BEND  
OHNOUT
  - OPTION  
VOLBA
  - REPLACE  
NAHRADIT
- 1** COLORED ETCHED PARTS  
LEPTANÉ BAREVNÉ DÍLY
- 1** ETCHED PARTS  
LEPTANÉ NEBAREVNÉ DÍLY
- 1** ORIGINAL KIT PARTS  
PŮVODNÍ DÍLY STAVEBNICE

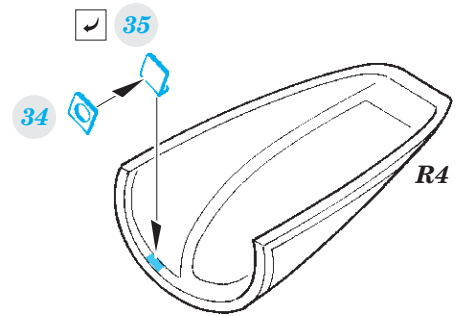
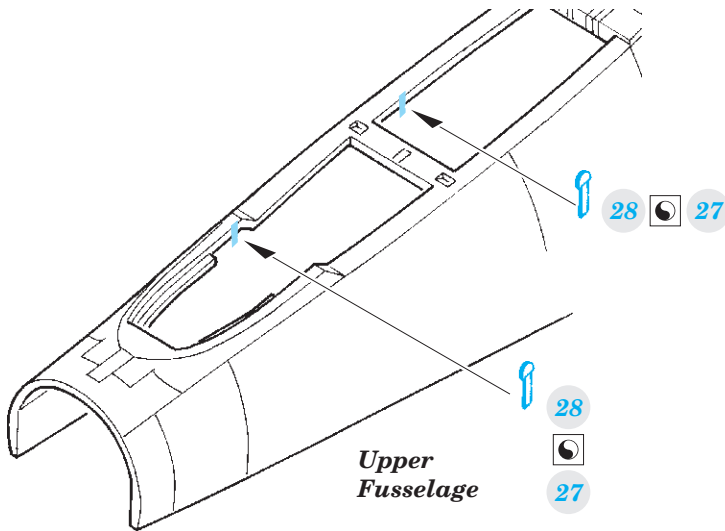
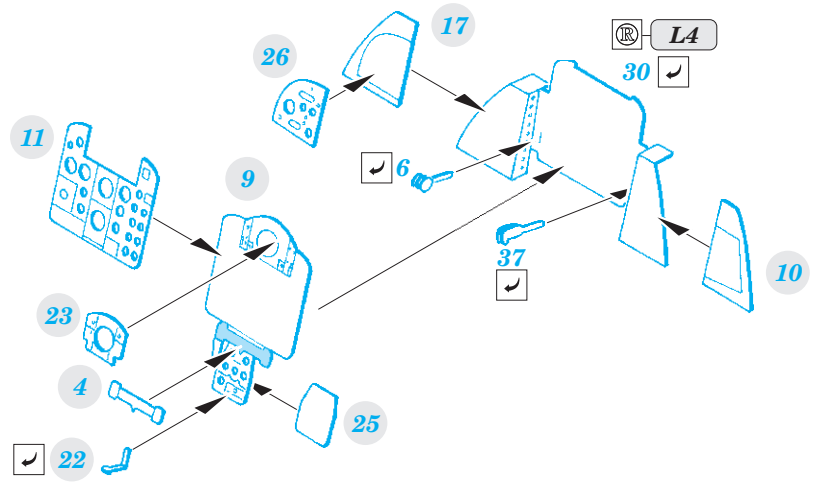
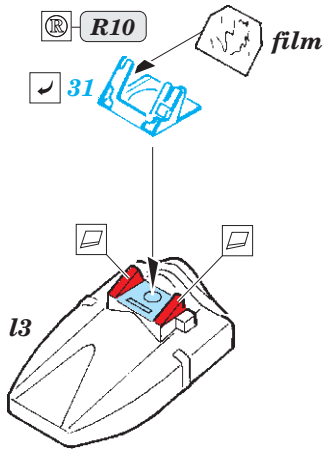
ORIGINAL KIT PARTS  
PŮVODNÍ DÍLY STAVEBNICE

PHOTO-ETCHED PARTS  
LEPTANÉ DÍLY

PARTS TO BE REMOVED  
DÍLY K ODSTRANĚNÍ

FILL  
TMELIT





Related product:

**FE 983 F-4B interior seatbelts STEEL 1/48**

Product display for FE 983 F-4B interior seatbelts STEEL 1/48. The display includes various parts numbered 1 through 19, including seatbelts, buckles, and warning signs. The text "REMOVE BEFORE FLIGHT" is visible on the warning signs. The logo "eduard" is on the left, and "© EDUARD 2019" and "Made in Czech Republic" are at the bottom.

**FE 983 F-4B interior seatbelts STEEL 1/48**