

648 465 Bf 109G-10 WNF engine

for Eduard kit - pro stavěbnici Eduard



1/48 scale



COLOURS

GSI Creos (GUNZE)			Mr.METAL COLOR	
AQUEOUS	Mr.COLOR			
[H 8]	[C 8]	SILVER	[MC211]	CHROME SILVER
[H 12]	[C 33]	FLAT BLACK	[MC214]	DARK IRON
[H 70]	[C 60]	RLM02 GRAY		
	[C 92]	SEMI GLOSS BLACK		

This product contains metal and resin detail parts for upgrading scale plastic models. When selecting this set make sure that it is for the kit mentioned in product name as these sets are made specifically for that kit. When upgrading the model some cutting or corrections may be necessary for parts to fit accurately. **WARNING!** This set contains small and sharp parts. Work carefully in a ventilated and well-lit room. Safety glasses are recommended. This product is not suitable for children below 14 years of age.

Tento výrobek obsahuje leptané a odlévané detaily pro úpravu a vylepšení plastického modelu. Při výběru sady kovových detailů zkontrolujte, zda je určena pro model, který chcete upravit. Model, pro který je sada určena, je uveden u názvu výrobku. Pro přesnou aplikaci kovových a odlévaných dílů může být zapotřebí upravit díly upravovaného modelu. **POZOR!** Sada obsahuje malé ostré díly. Pracujte ve větrané a dobře osvětlené místnosti. Doporučujeme použití ochranných brýlí. Tento výrobek není vhodný pro děti mladší 14 let.

eduard
435 21 Obrnice 170
Czech Republic
www.eduard.com



www.eduard.com

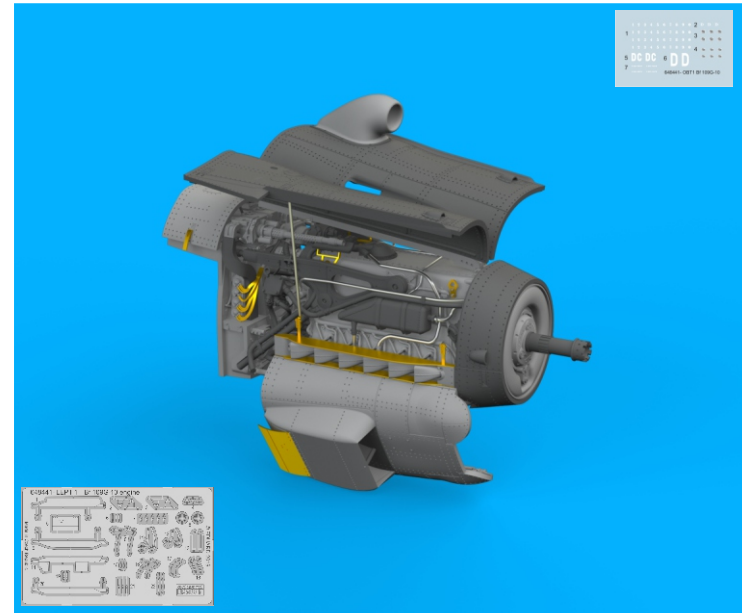
44,95



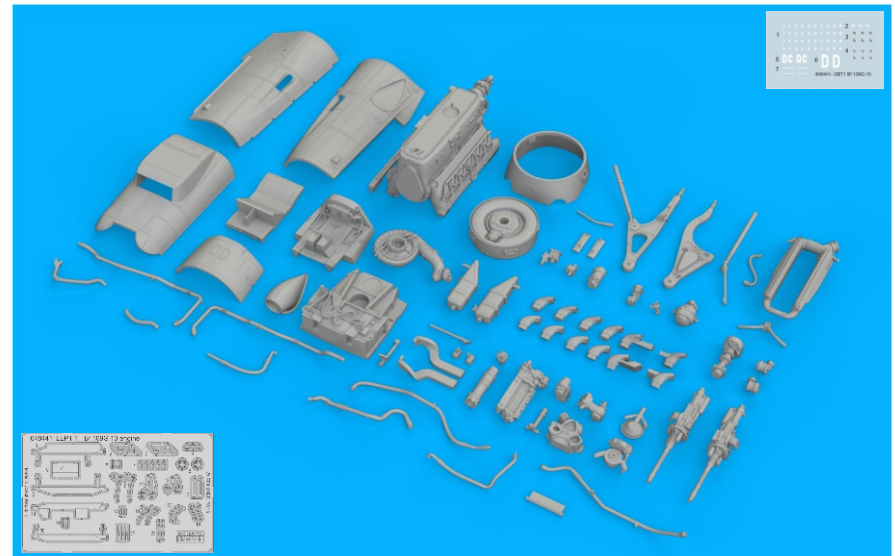
648 465 Bf 109G-10 WNF engine

for Eduard kit - pro stavěbnici Eduard

1/48

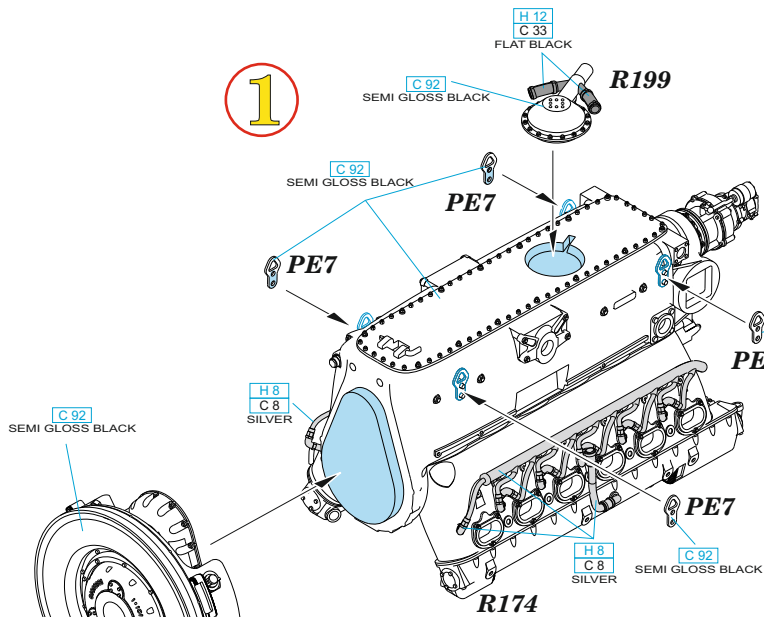


eduard

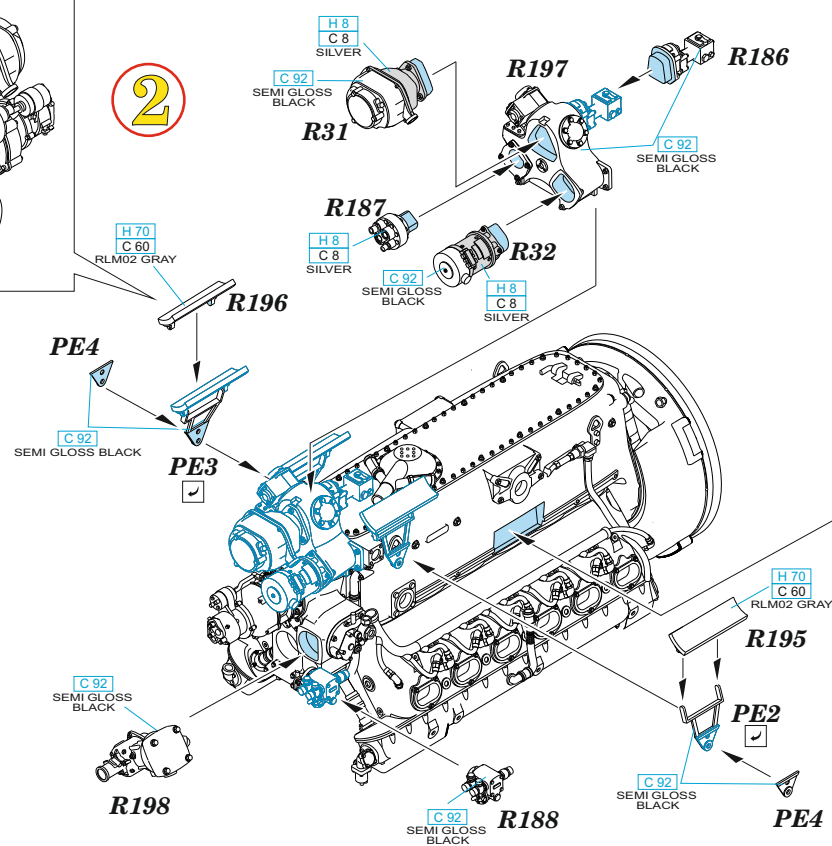


BEST ~~BRASS~~ RESIN AROUND!

1



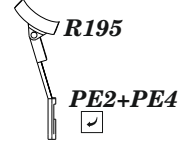
2



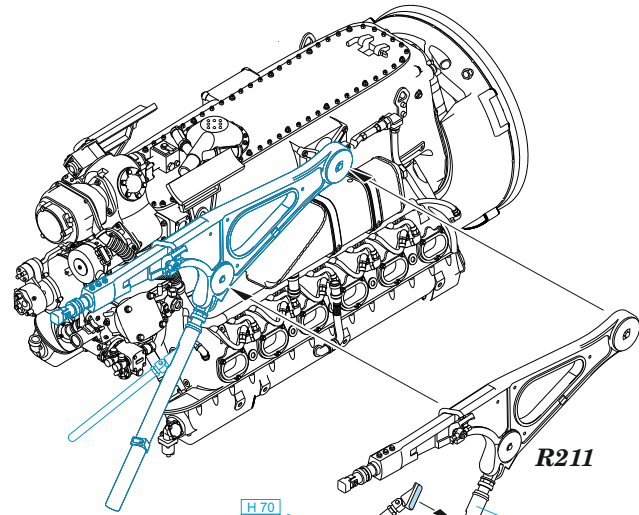
CORRECT POSITION



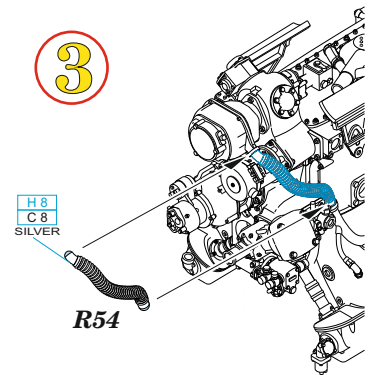
CORRECT POSITION



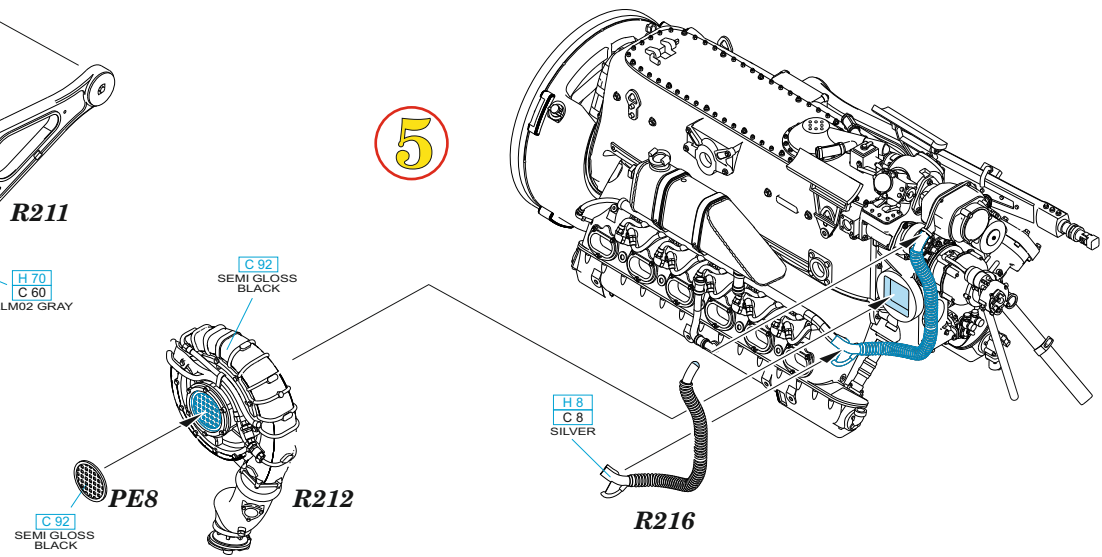
4

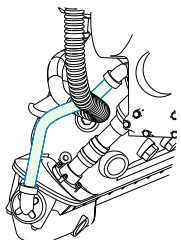


3



5

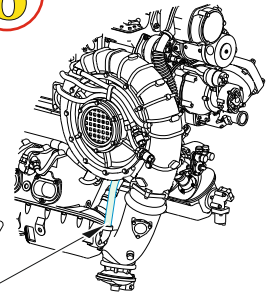




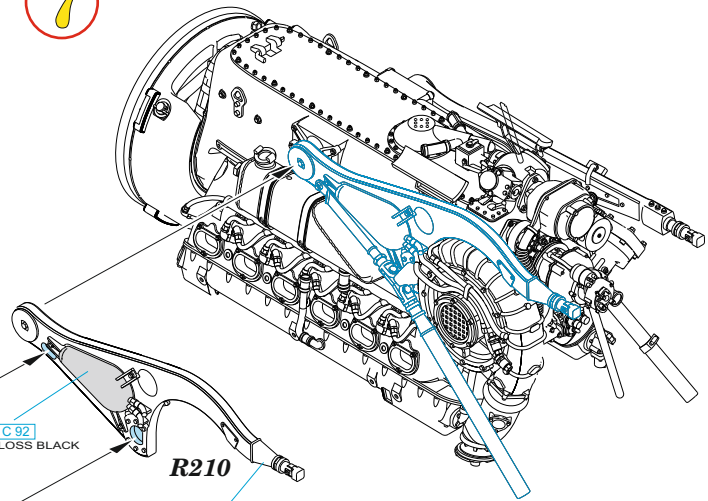
6

wire
Ø - 0,5mm
l - 7mm

C 92
SEMI GLOSS BLACK



7



C 92
SEMI GLOSS BLACK

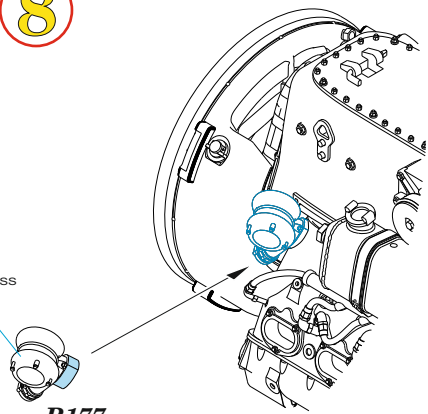
R210
H 70
C 60
RLM02 GRAY

R209

H 70
C 60
RLM02 GRAY

8

C 92
SEMI GLOSS BLACK



R177
R176

9

H 70
C 60
RLM02 GRAY

MC214
DARK IRON

MC214
DARK IRON

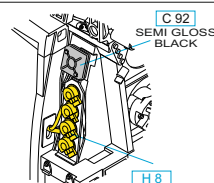
R22

H 70
C 60
RLM02 GRAY

H 70
C 60
RLM02 GRAY

MC214
DARK IRON

R23



C 92
SEMI GLOSS BLACK

H 12
C 33
FLAT BLACK

R220

H 70
C 60
RLM02 GRAY

MC214
DARK IRON

H 8
C 8
SILVER

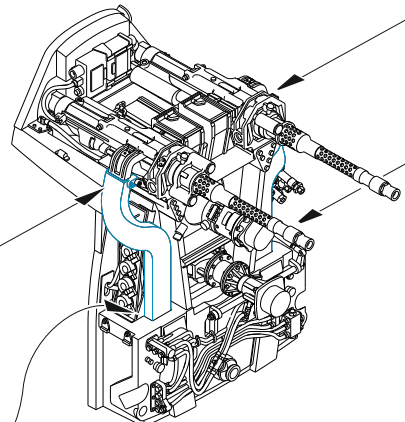
H 70
C 60
RLM02 GRAY

R175

C 92
SEMI GLOSS BLACK

R183

10



C 92
SEMI GLOSS BLACK

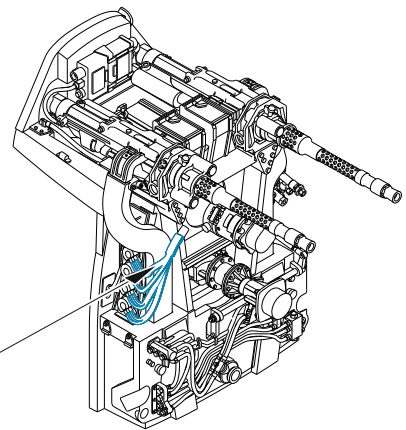
R184

11

PE12

H 8
C 8
SILVER

PE11



12

wire
Ø - 0,4mm
l - 16mm

H 8
C 8
SILVER

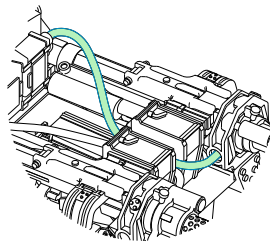
wire
Ø - 0,4mm
l - 16mm

H 8
C 8
SILVER

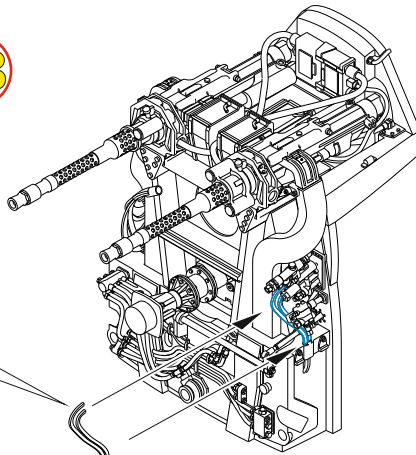
R59

C 92
SEMI GLOSS BLACK

R194



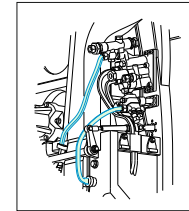
13



PE18

H 8
C 8
SILVER

14



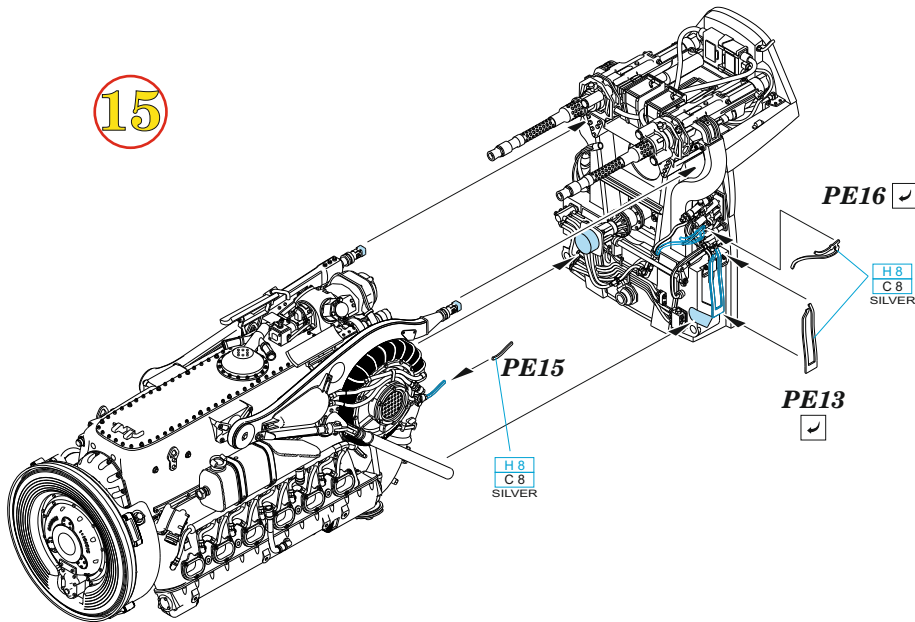
PE22

H 8
C 8
SILVER

PE17

H 8
C 8
SILVER

15



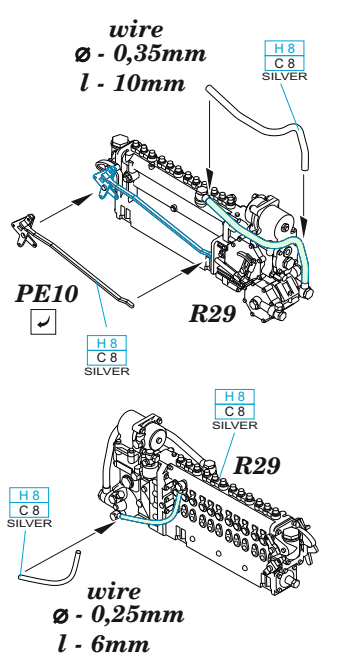
PE16

H 8
C 8
SILVER

PE13

H 8
C 8
SILVER

PE15



wire
Ø - 0,35mm
l - 10mm

H 8
C 8
SILVER

PE10

H 8
C 8
SILVER

R29

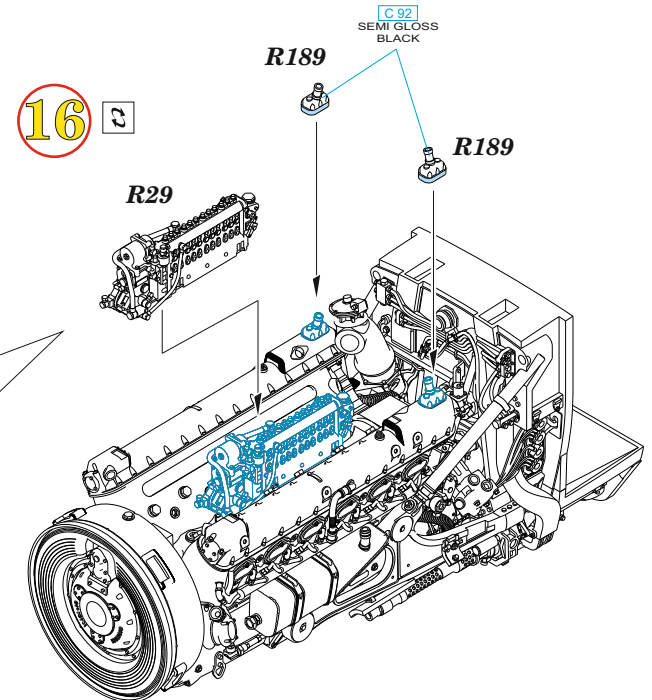
H 8
C 8
SILVER

R29

H 8
C 8
SILVER

wire
Ø - 0,25mm
l - 6mm

16



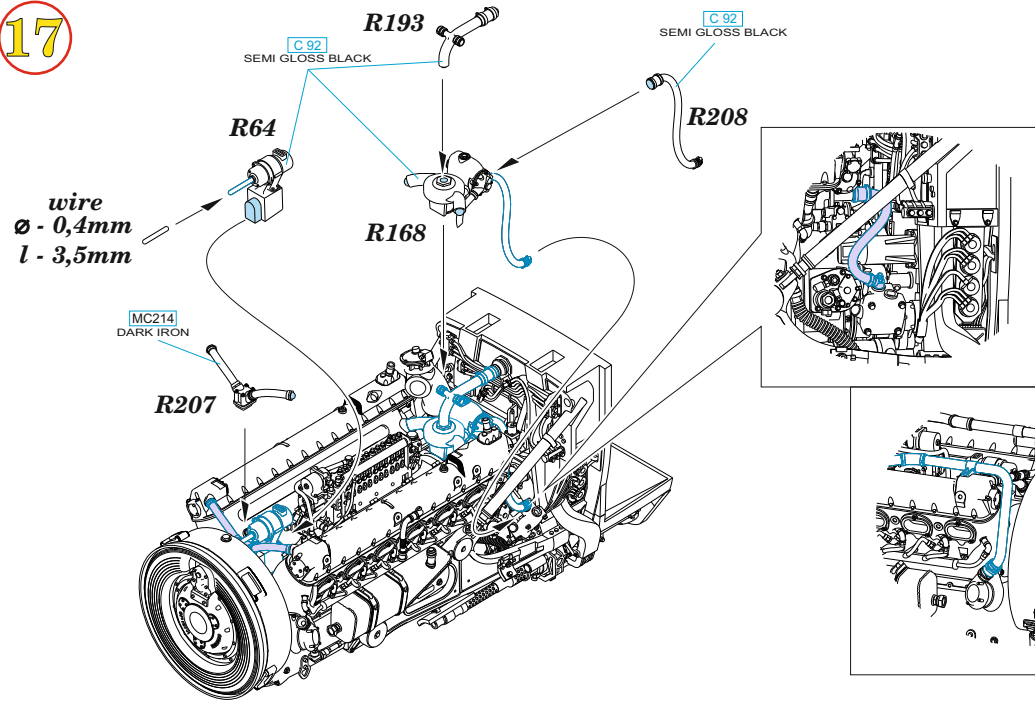
R189

C 92
SEMI GLOSS BLACK

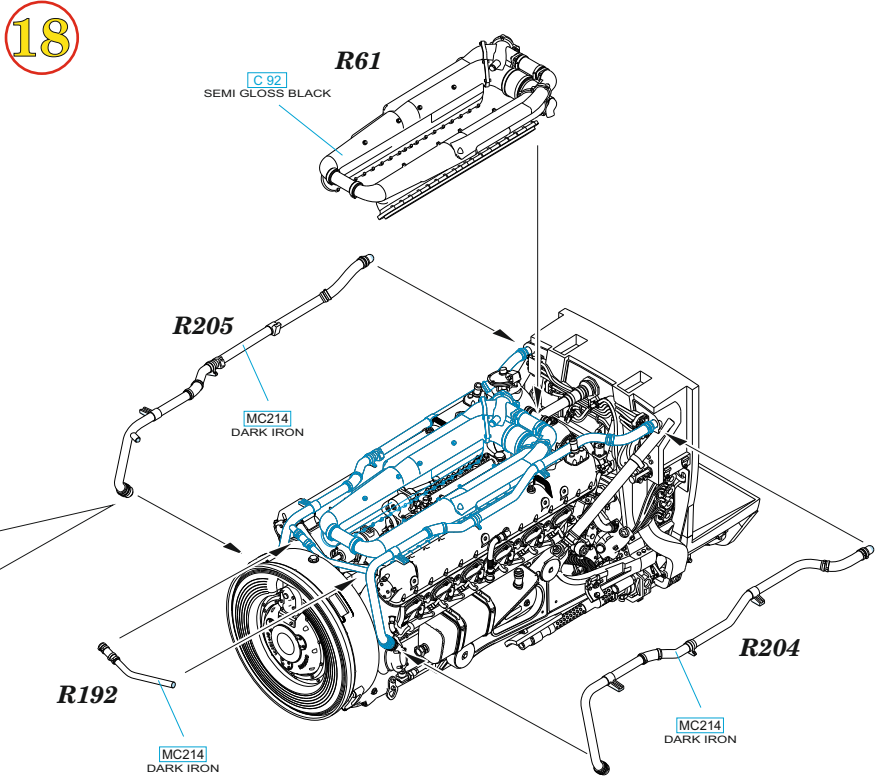
R189

R29

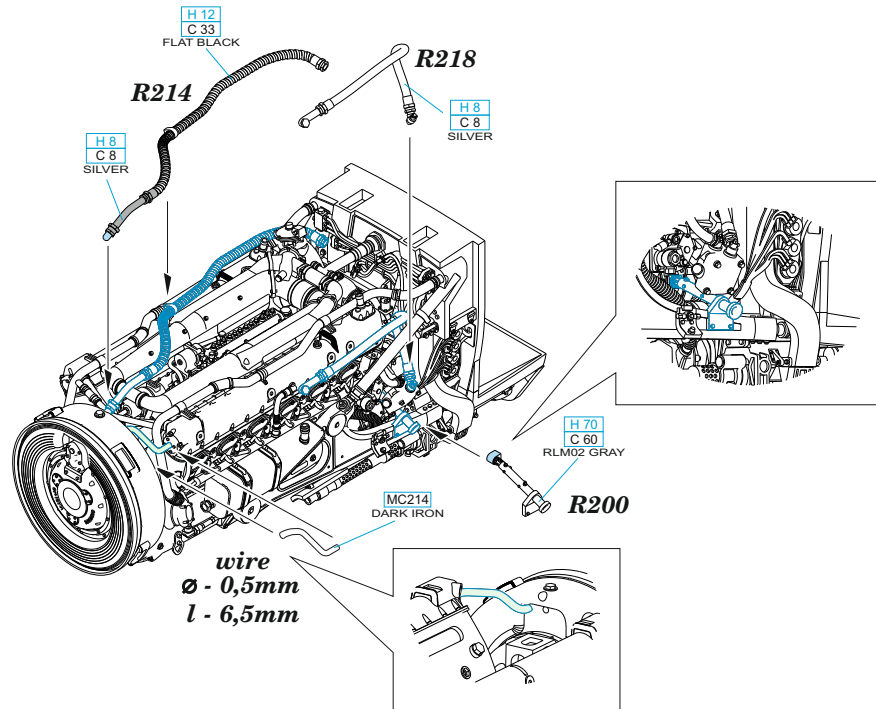
17



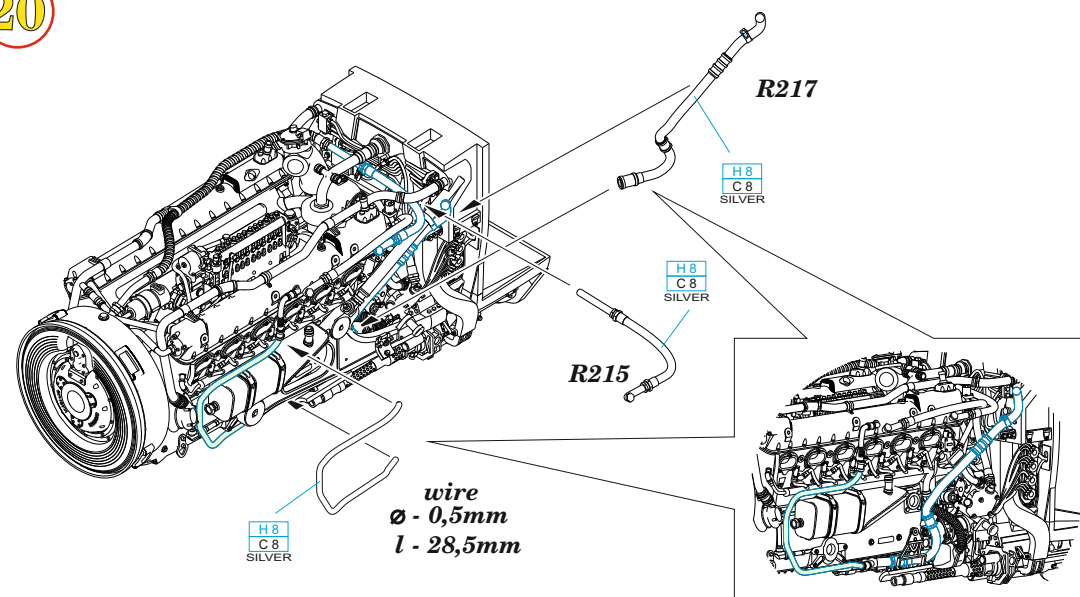
18



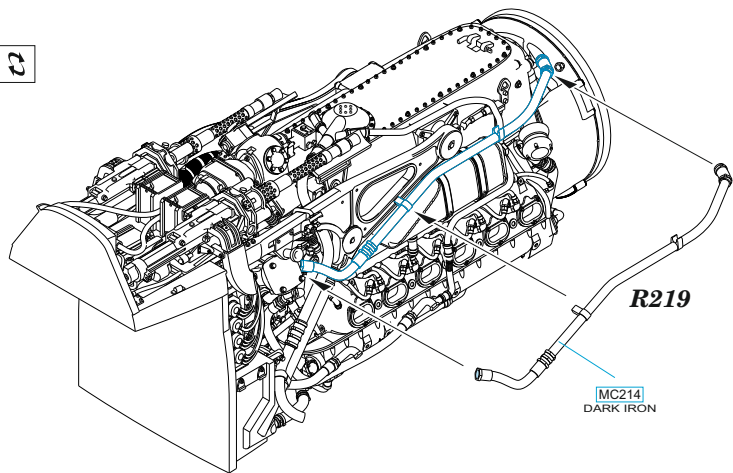
19



20



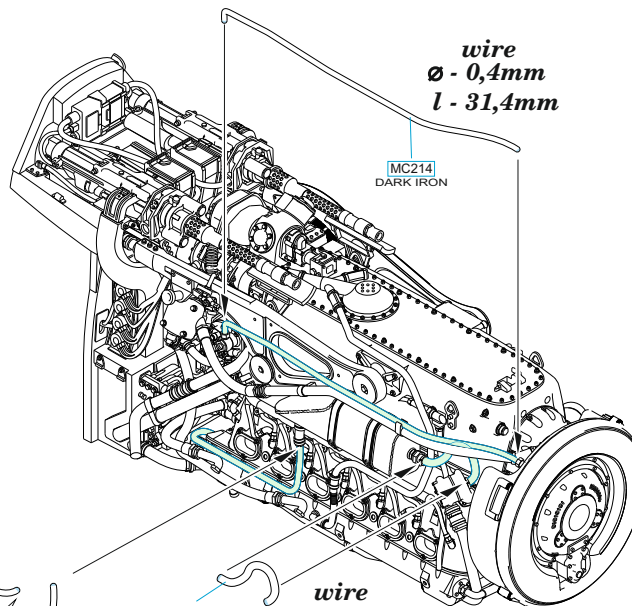
21



R219

MC214
DARK IRON

22



wire
Ø - 0,4mm
l - 31,4mm

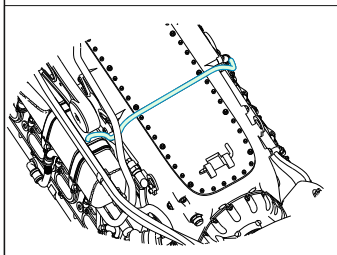
MC214
DARK IRON

wire
Ø - 0,45mm
l - 22,7mm

H 8
C 8
SILVER

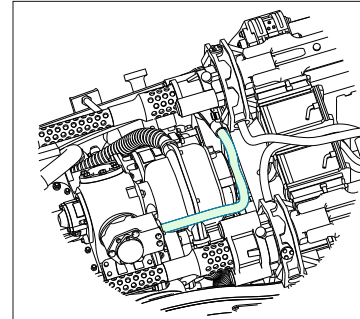
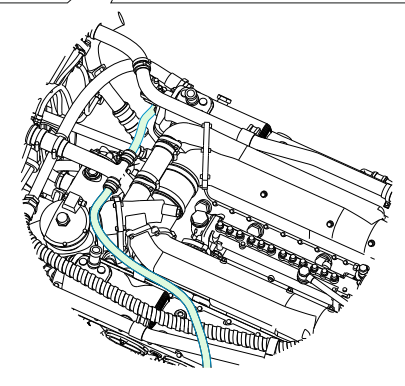
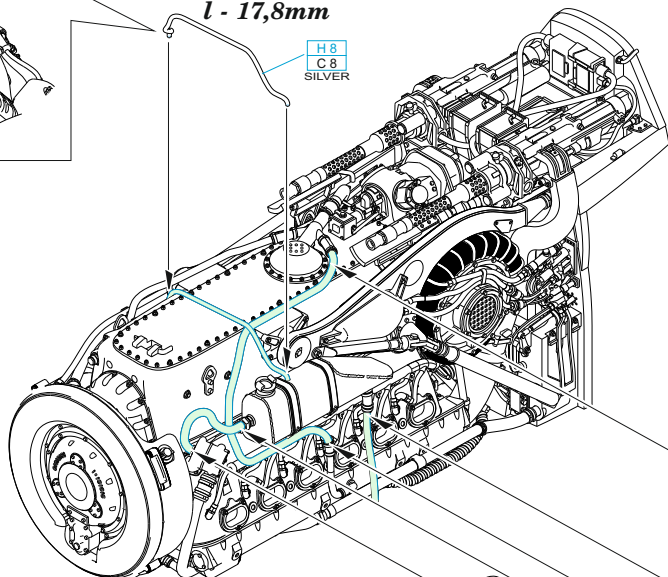
MC214
DARK IRON

wire
Ø - 0,5mm
l - 7,4mm



wire
Ø - 0,3mm
l - 17,8mm

H 8
C 8
SILVER

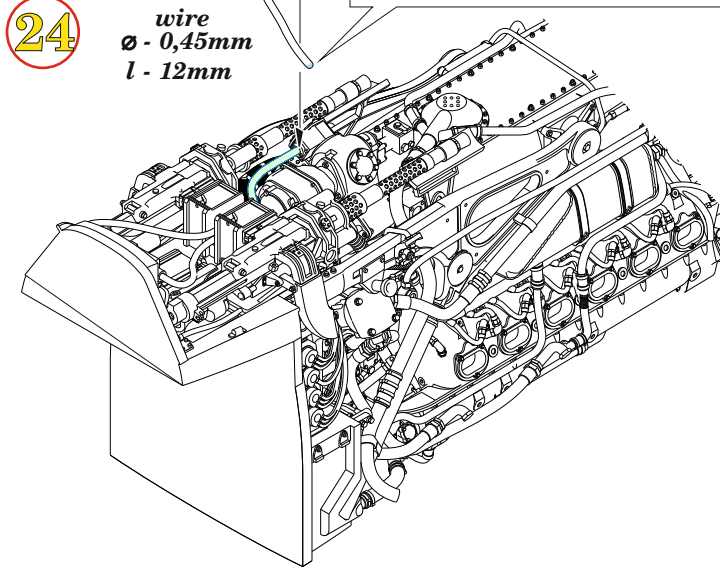


H 8
C 8
SILVER

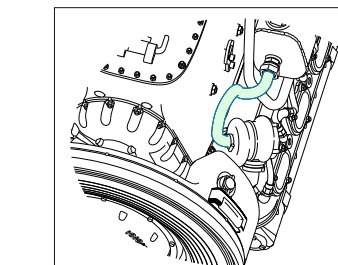
24

wire
Ø - 0,45mm
l - 12mm

H 8
C 8
SILVER



23



wire
Ø - 0,5mm
l - 7,7mm

MC214
DARK IRON

wire
Ø - 0,5mm
l - 31mm

H 8
C 8
SILVER

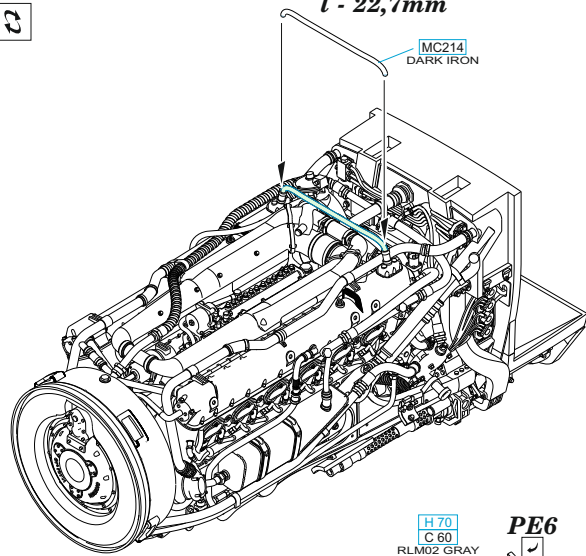
H 8
C 8
SILVER

wire
Ø - 0,45mm
l - 21,3mm

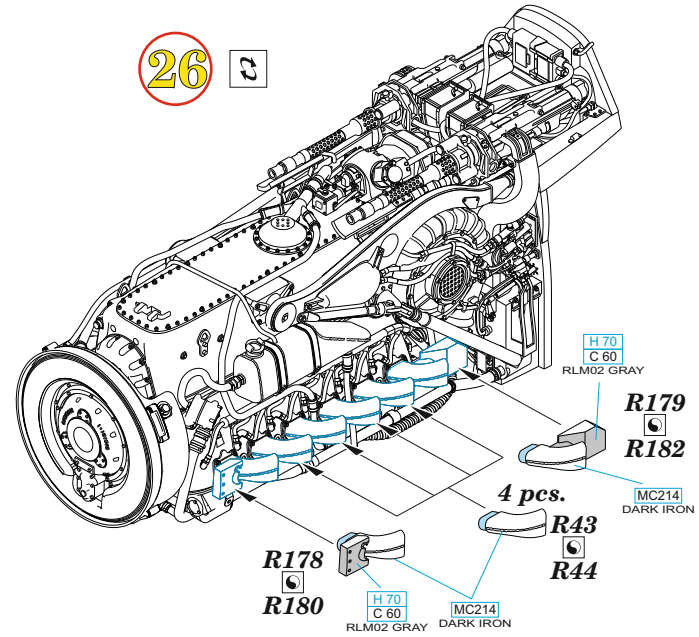
25



wire
Ø - 0,4mm
l - 22,7mm



26



27

CORRECT POSITION

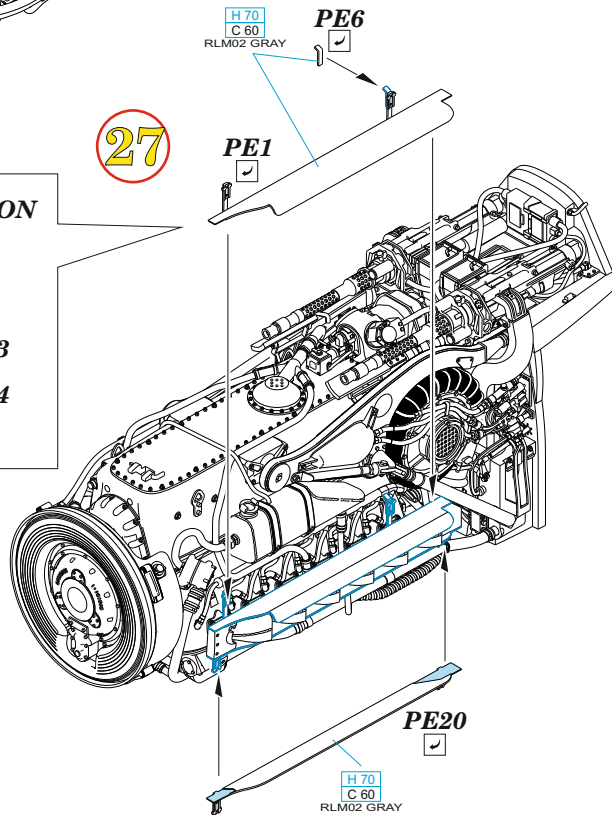
PE1



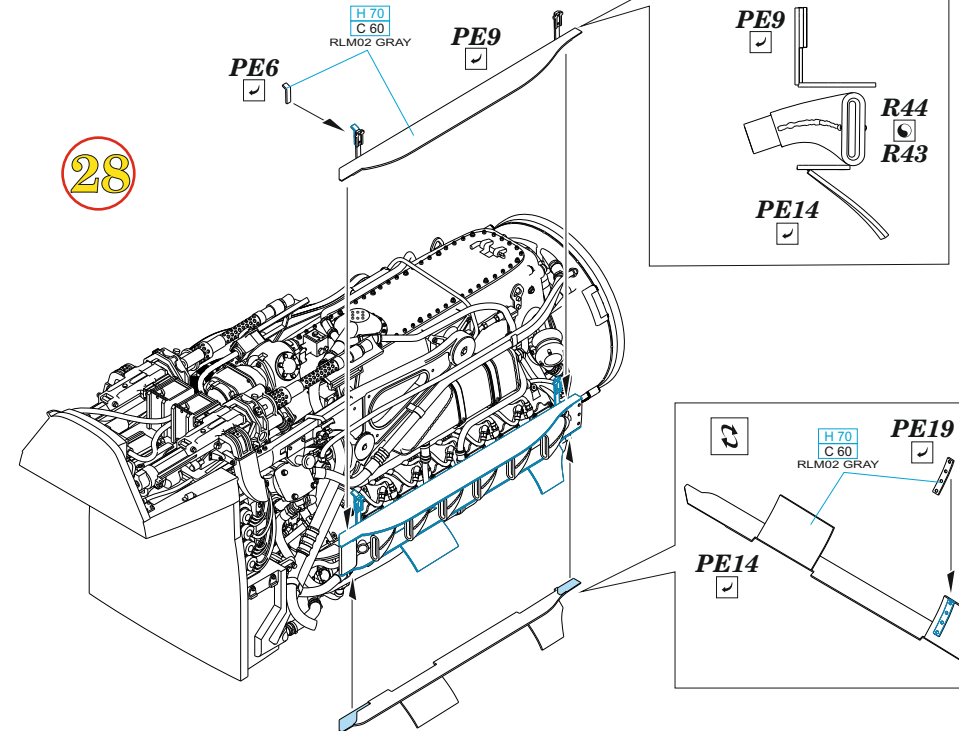
R43

R44

PE20



28



29

H 70
C 60
RLM02 GRAY

R171

PE21

PE21

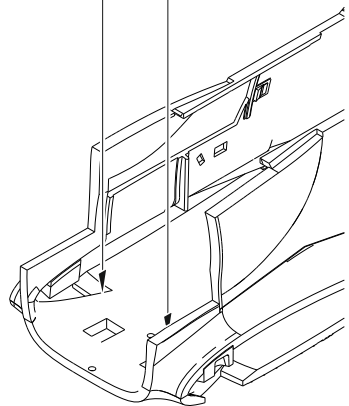
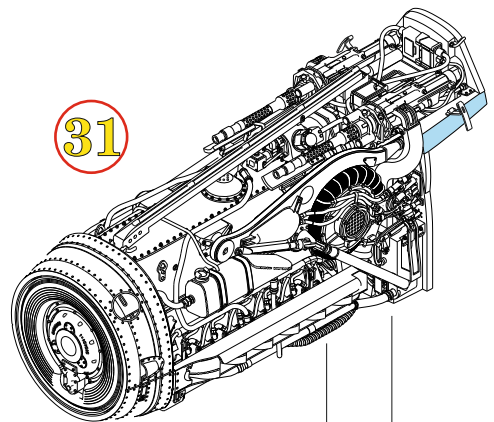
R170

H 70
C 60
RLM02 GRAY

plastic V1

plastic V1 V17

31

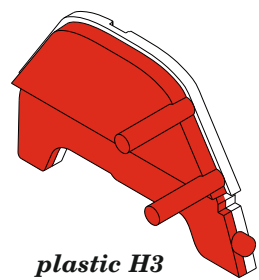
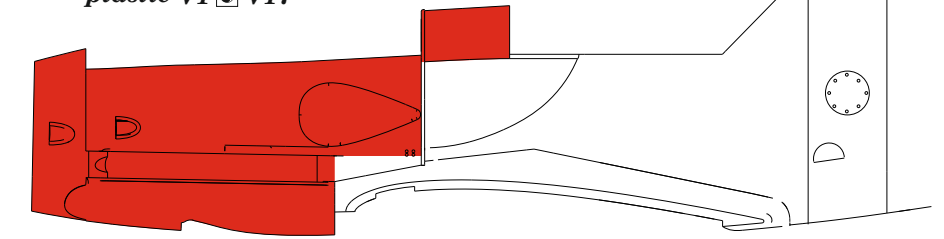


30

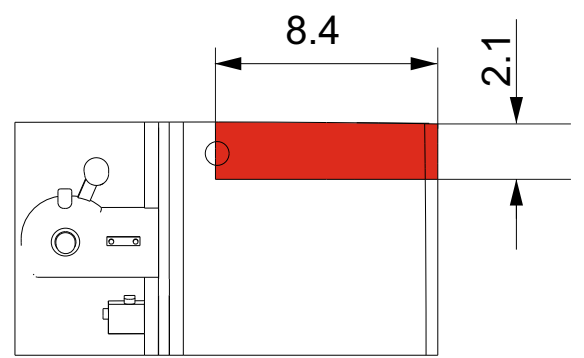
plastic H2

DON'T USE PLASTIC PART H2

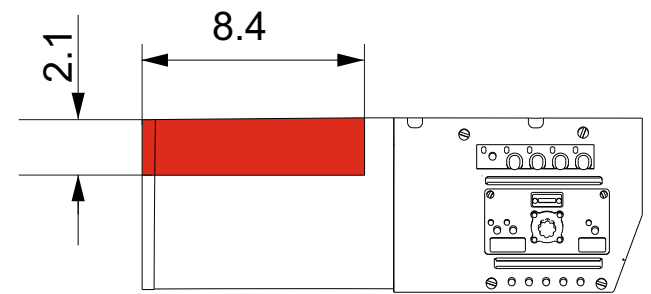
plastic V1 V17



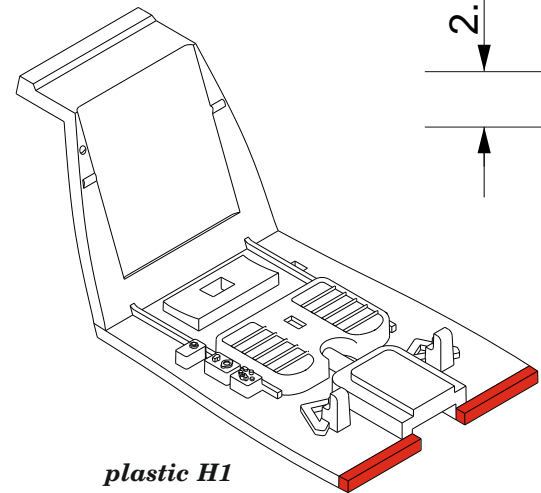
plastic H3
? plastic H4



plastic V5

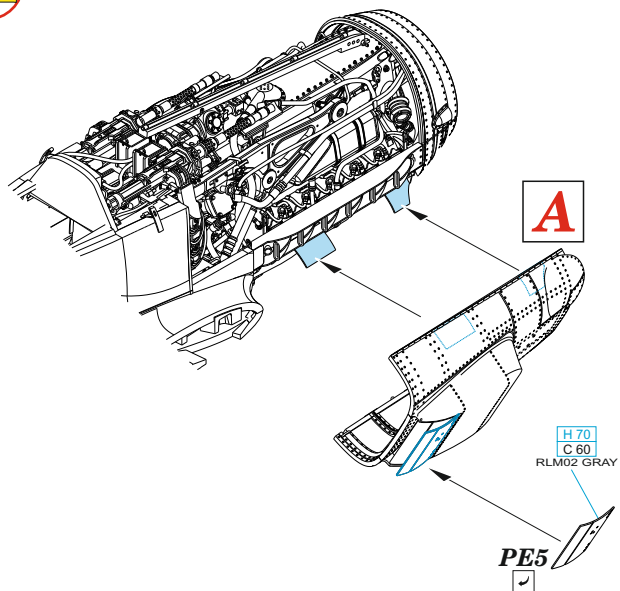


plastic V6



plastic H1

32

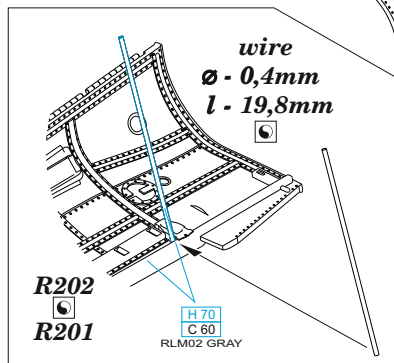


A

H 70
C 60
RLM02 GRAY

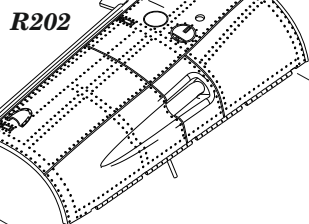
PE5

33

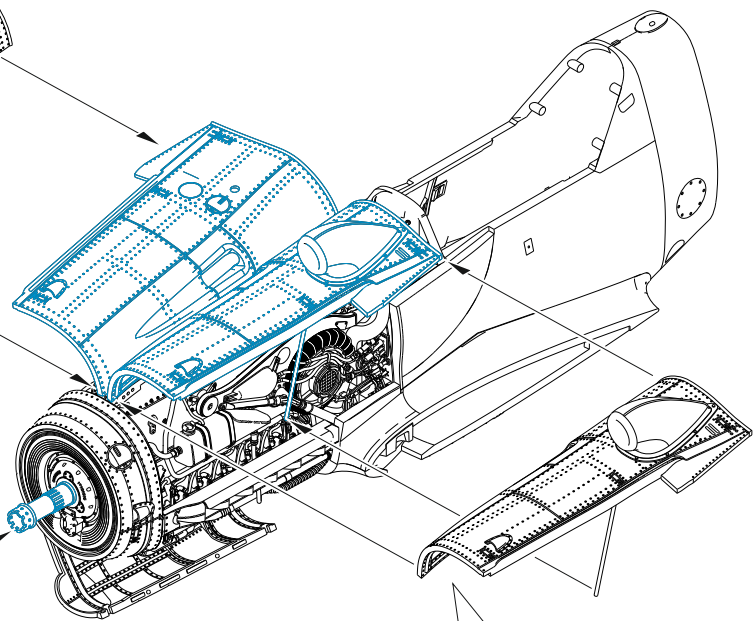


R202
R201

H 70
C 60
RLM02 GRAY



R202

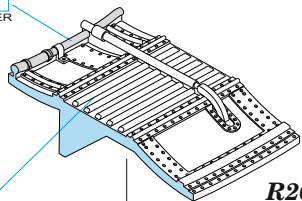


R169

MC211
CHROME SILVER

A

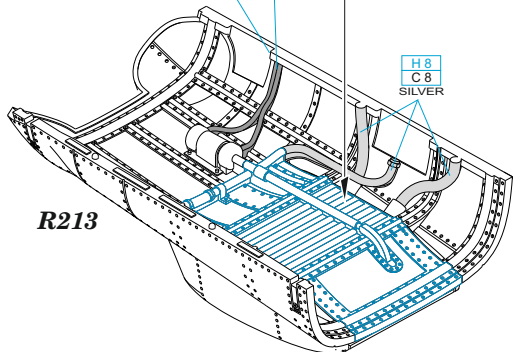
H 8
C 8
SILVER



R206

H 70
C 60
RLM02 GRAY

H 12
C 33
FLAT BLACK

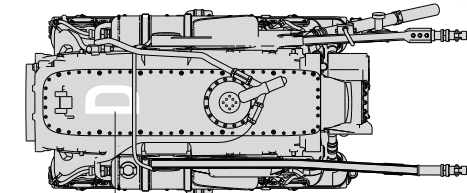
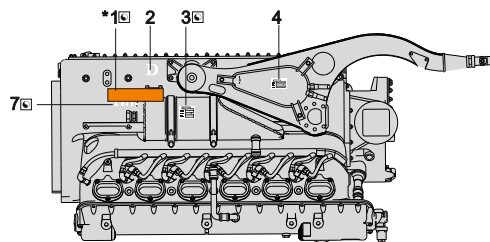


R213

H 8
C 8
SILVER

DECAL

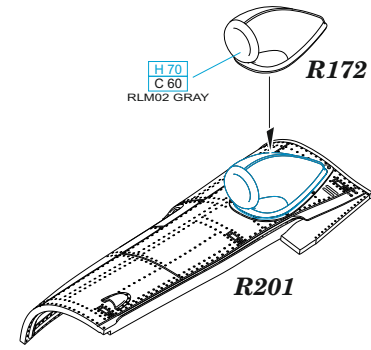
*(POSITION OF 8 DIGIT W. Nr. OF THE ENGINE)



6 5

H 70
C 60
RLM02 GRAY

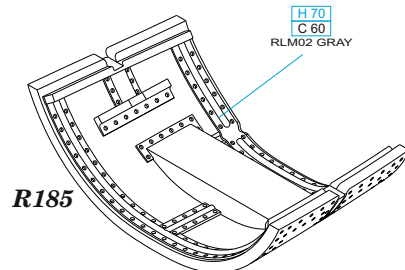
R172










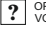
R201

34

H 70
C 60
RLM02 GRAY



R185

-  REMOVE
ODSTRANIT
-  GRIND
OBROUSIT
-  DRILL HOLE
VRTAT OTVOR
-  SYMMETRICAL ASSEMBLY
SYMETRICKÁ MONTÁŽ
-  SCRIBE THE PANEL AND HOLES
RYTI
-  REVERSE SIDE
OTOČIT
-  BEND
OHNOUT
-  OPTION
VOLBA
-  REPLACE
NAHRADIT

RELATED PRODUCTS

644 004 Bf 109G-10



648 158 Bf 109G wheels late



648 309 Bf 109G undercarriage legs BRONZE

