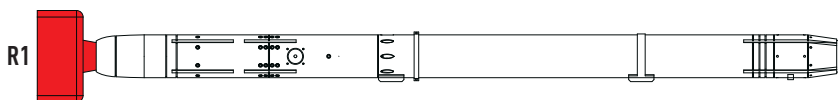
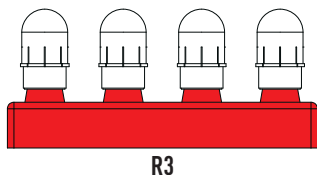
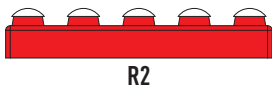
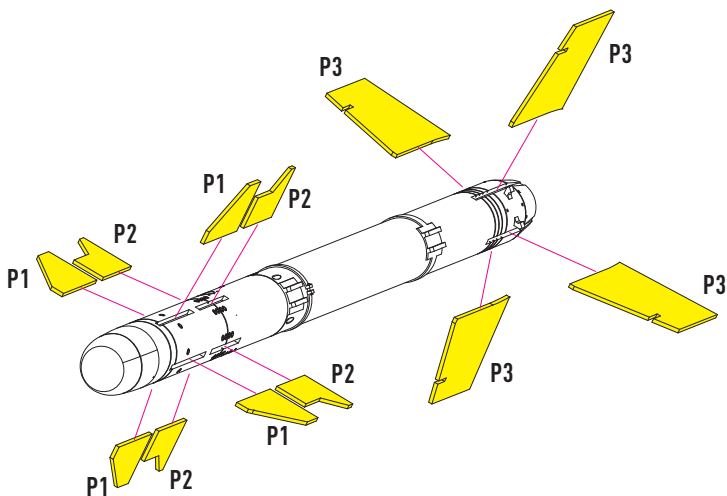


CUT



1



2

