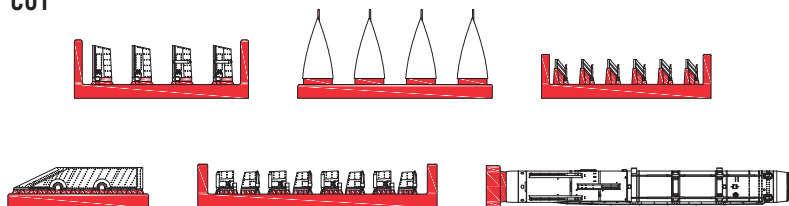
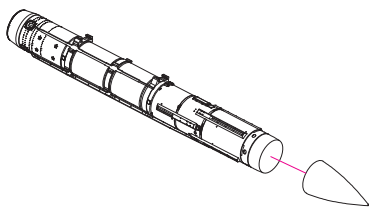


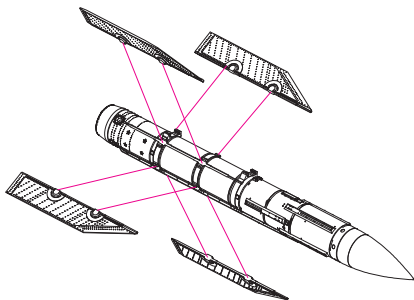
1 CUT



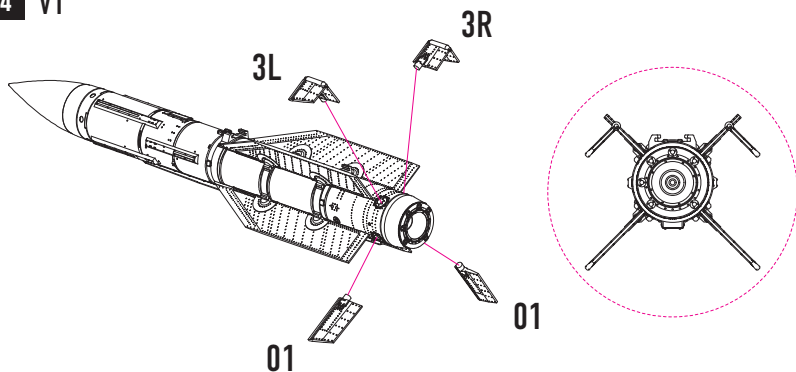
2



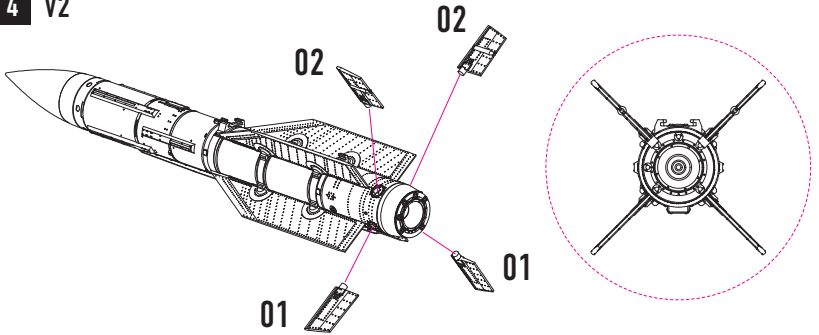
3



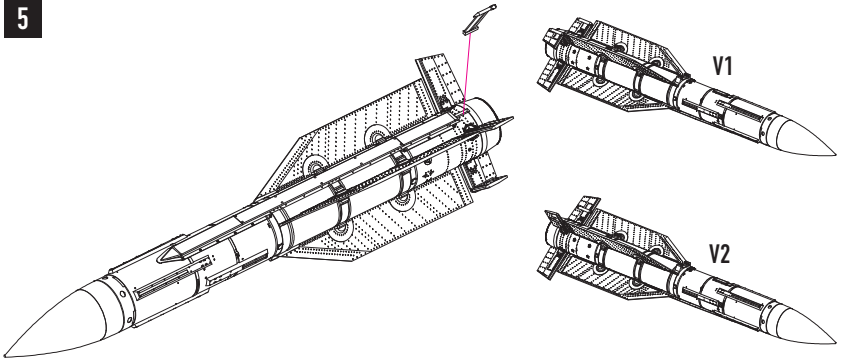
4 V1



4 V2



5



DECAL INSTRUCTION

