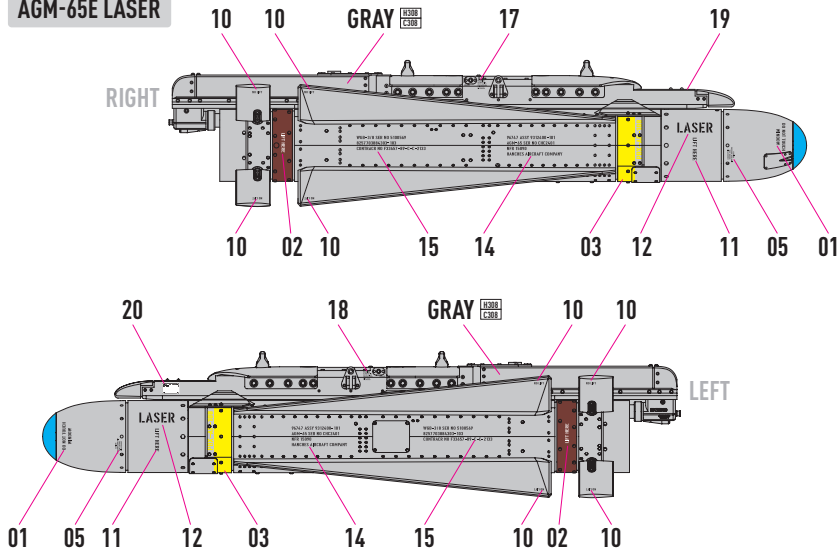
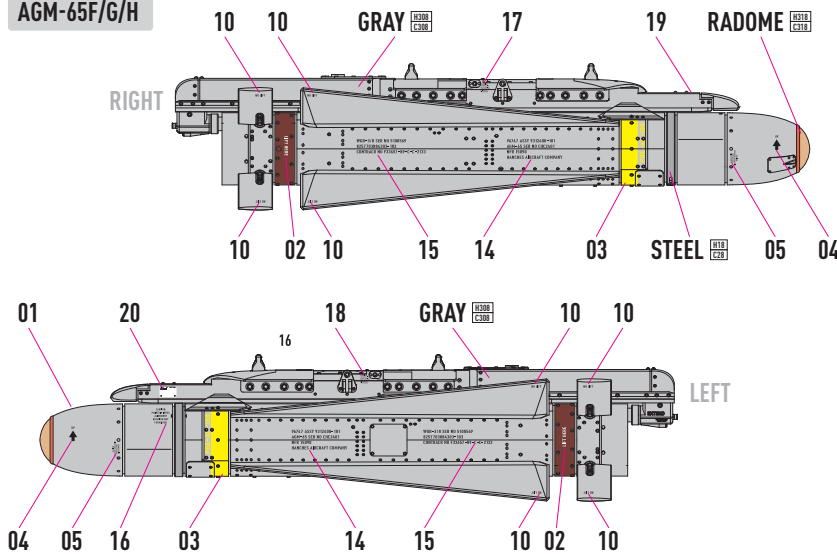


AGM-65E LASER

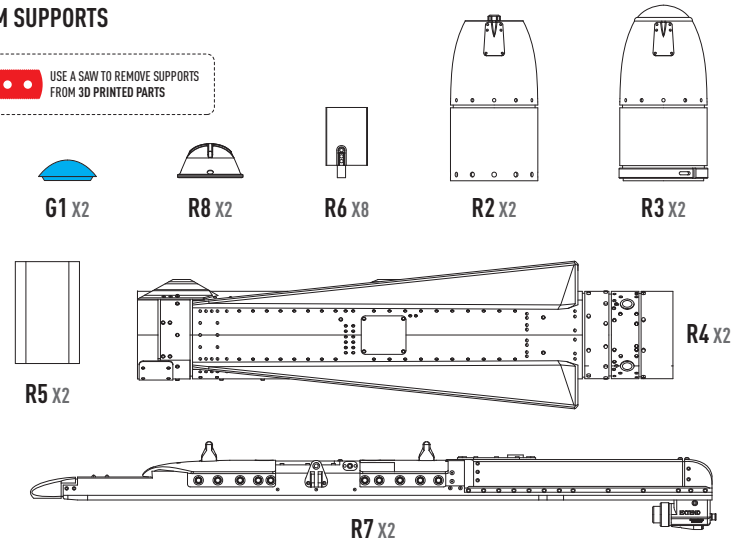


AGM-65F/G/H

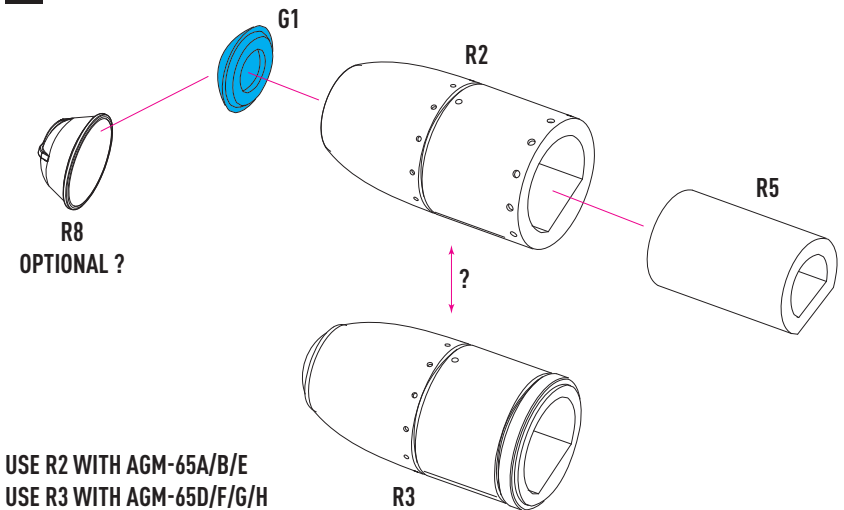


DETAILS AFTER REMOVAL FROM SUPPORTS

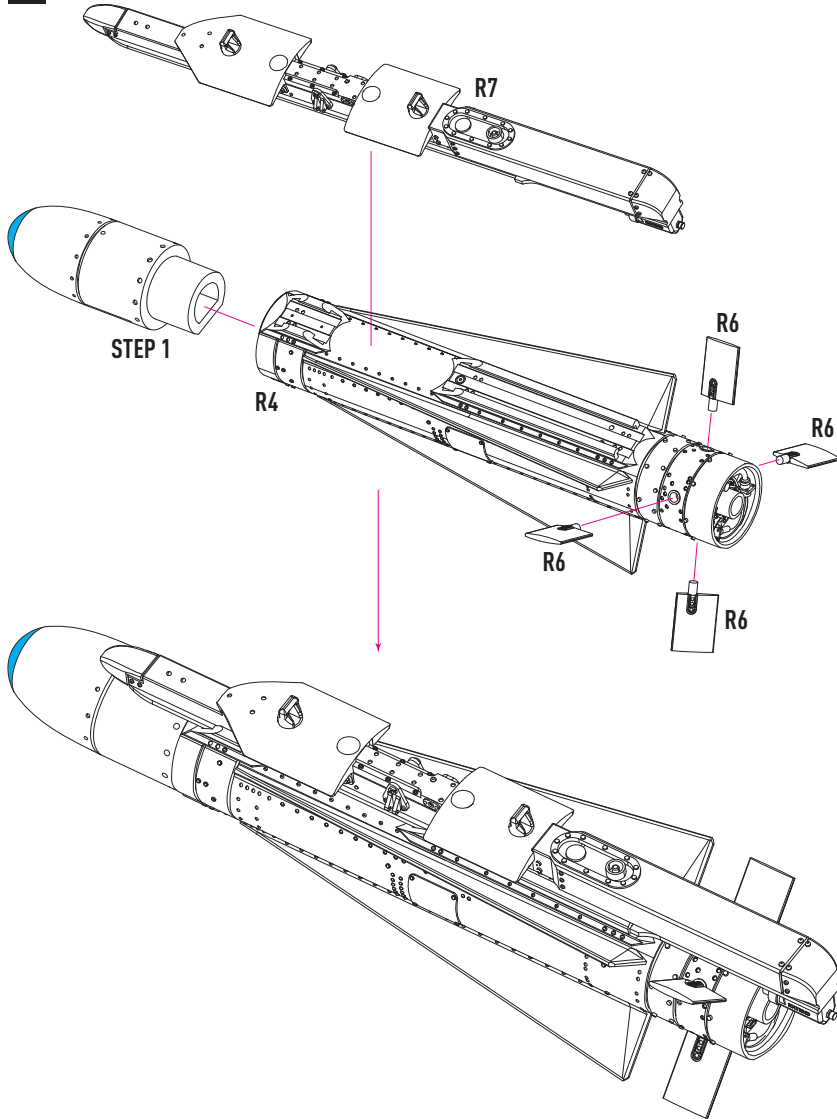
USE A SAW TO REMOVE SUPPORTS
FROM 3D PRINTED PARTS



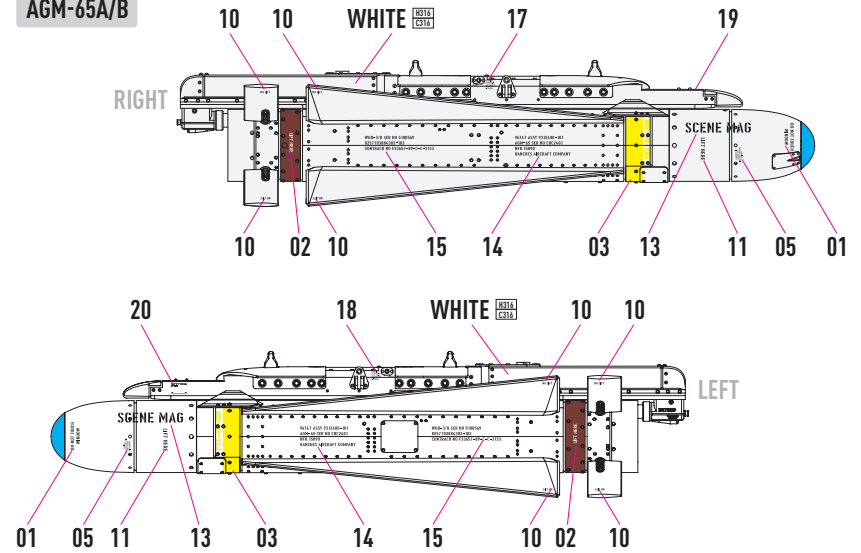
1



2



AGM-65A/B



AGM-65D

