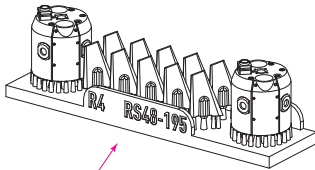
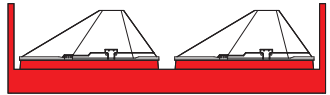


CUT



USE A SAW TO REMOVE SUPPORTS FROM 3D PRINTED PARTS



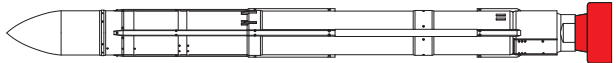
R3 X4



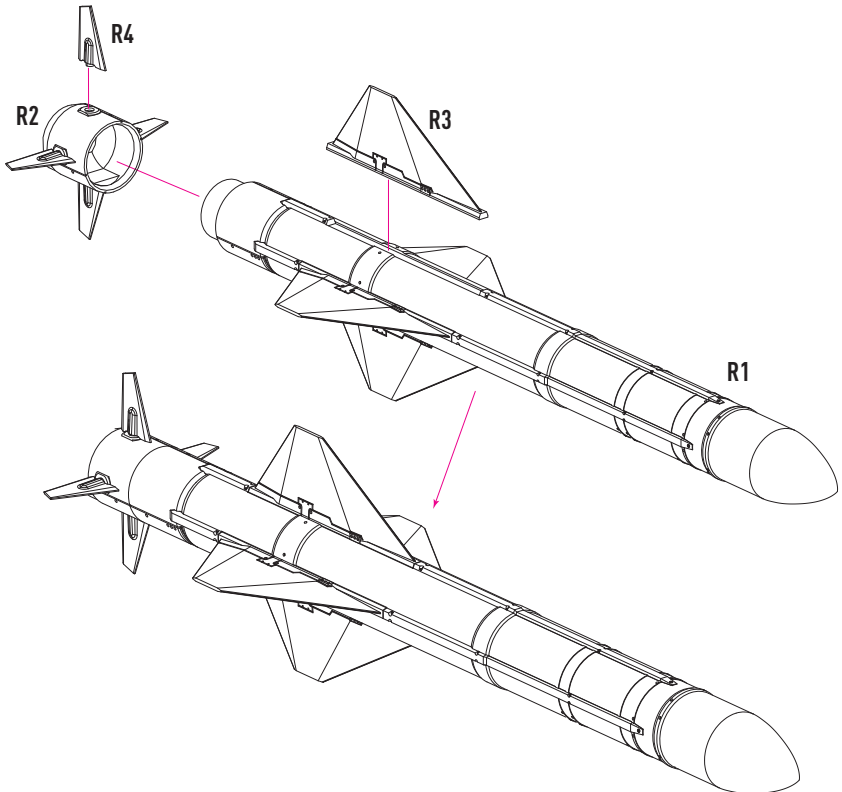
R2 X2

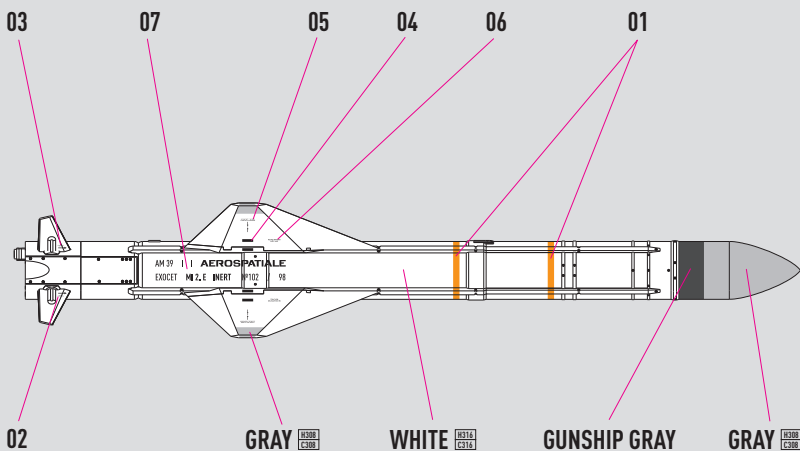
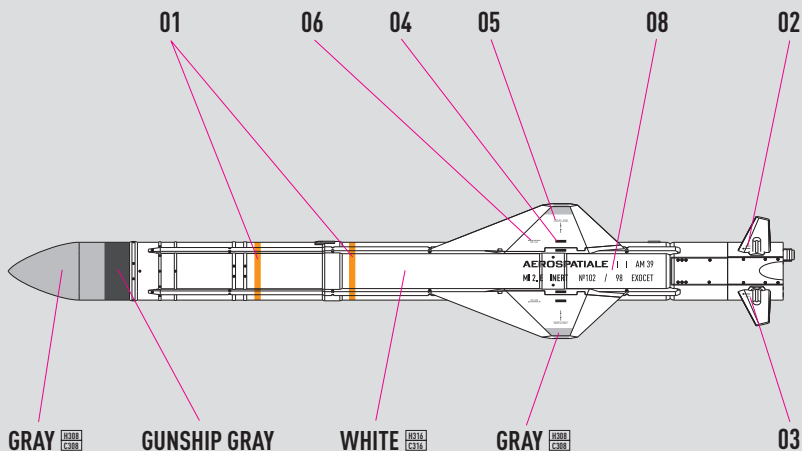


R4 X8



R1 X2





COLOR	SGUNZE / AGEUS	GUNZE / MR.COLOR	FEDERAL STANDARD
GRAY	H308	C308	FS 36375
WHITE	H316	C316	FS 17875
GUNSHIP GRAY			FS36118