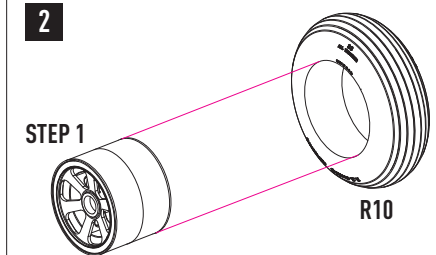
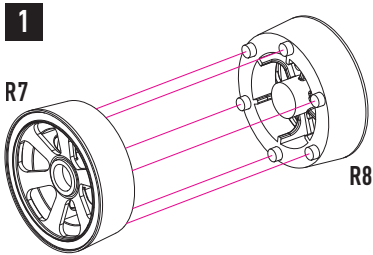
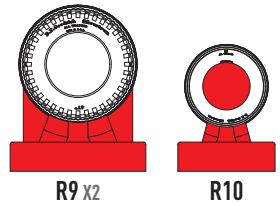
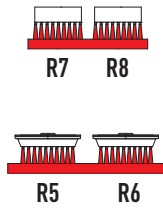
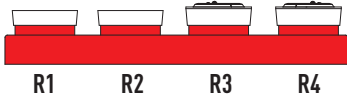
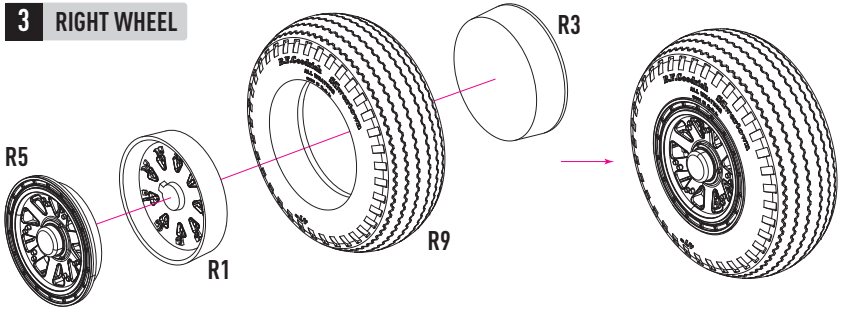


**CUT**

USE A SAW TO REMOVE SUPPORTS FROM 3D PRINTED PARTS



**3 RIGHT WHEEL**



**4 LEFT WHEEL**

