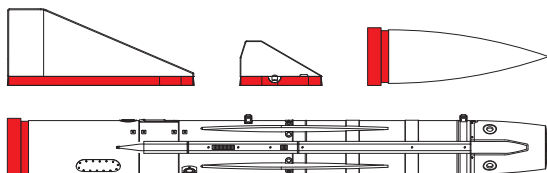
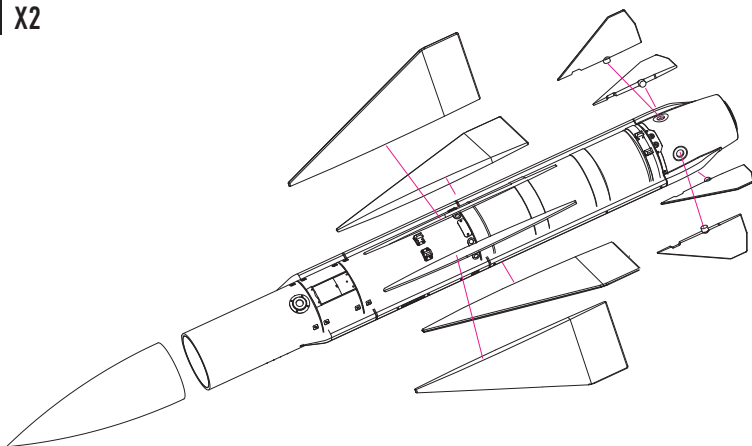


CUT



2 X2



3

