

CUT

USE A SAW TO REMOVE SUPPORTS
FROM 3D PRINTED PARTS

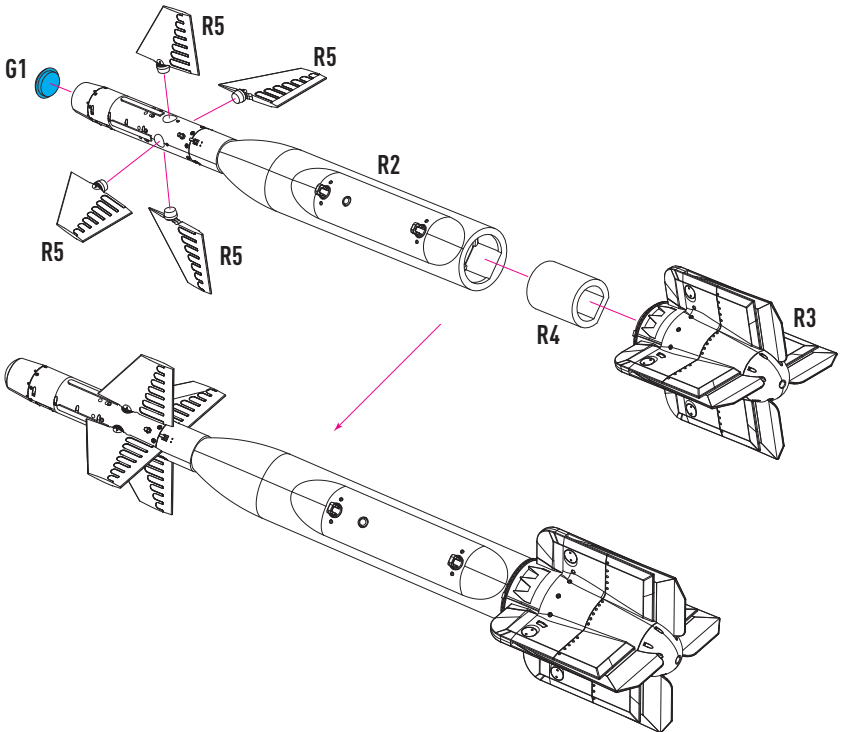
G1 X2

R5 X8

R4

R3 X2

R2 X2

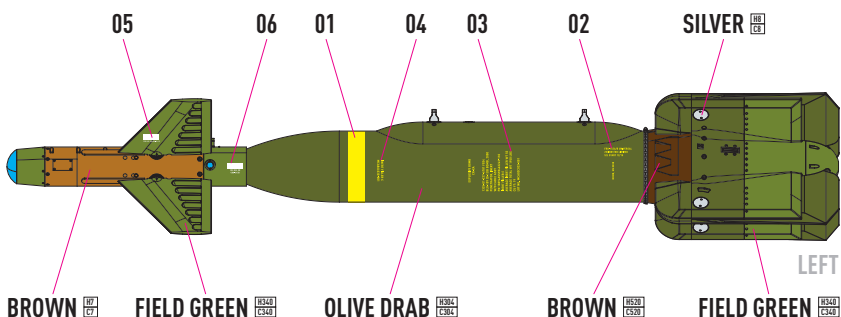
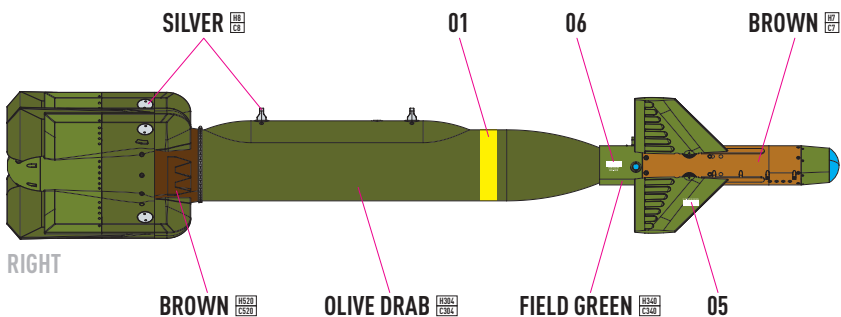
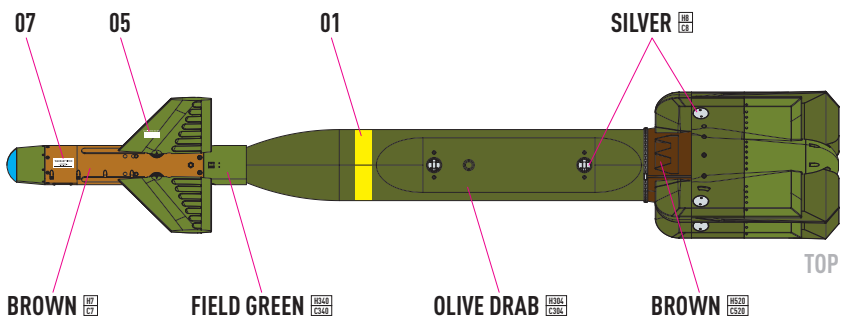


GBU-24 (A-B) BOMBS

(2 PCS) A-6, A-10, F-14, F-15, F-16,

F/A-18, F-111, MIRAGE 2000

DECAL INSTRUCTION **RS48-0290**



COLORS	GUNZE / ADEUUS	GUNZE / MR.COLOR
OLIVE DRAB	H304	C304
SILVER	H8	C8

COLORS	GUNZE / ADEUUS	GUNZE / MR.COLOR
BROWN	H502	C502
BROWN	H7	C7

COLORS	GUNZE / ADEUUS	GUNZE / MR.COLOR
FIELD GREEN	H340	C340