

CUT

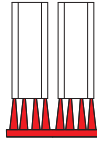
USE A SAW TO REMOVE SUPPORTS
FROM 3D PRINTED PARTS



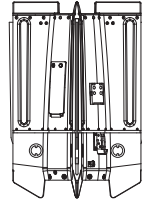
R1 X2



R5 X8



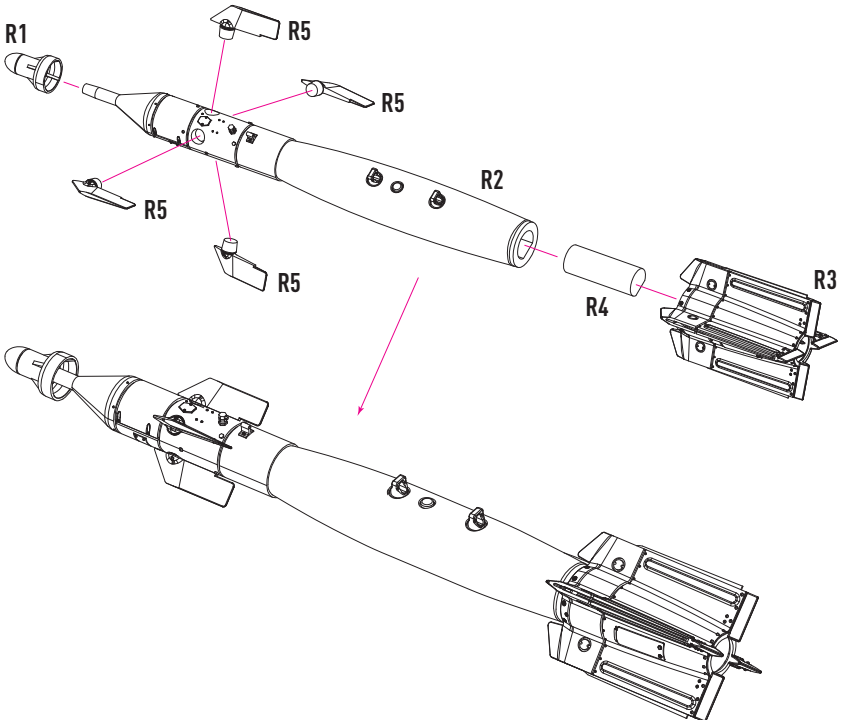
R4

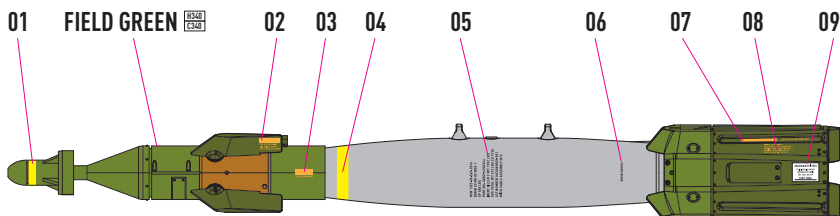


R3 X2

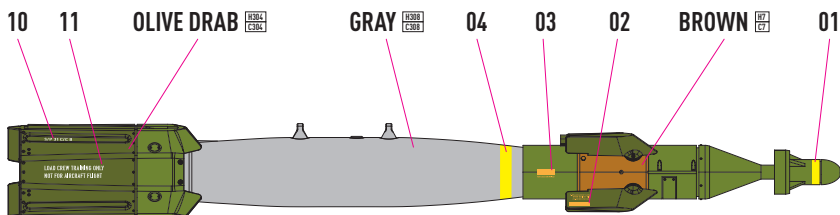


R2 X2

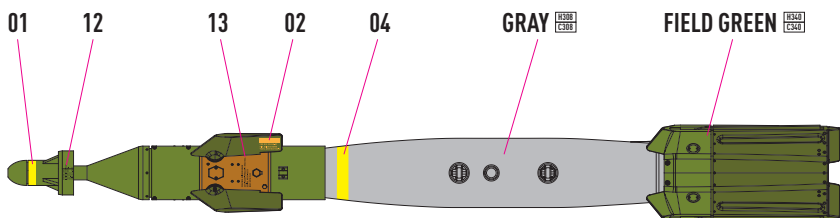




LEFT



RIGHT



TOP

COLORS	GUNZE / AGEOS	GUNZE / MR.COLOR
OLIVE DRAB	H304	C304
GRAY	H308	C308

COLORS	GUNZE / AGEOS	GUNZE / MR.COLOR
FIELD GREEN	H340	C340
BROWN	H7	C7