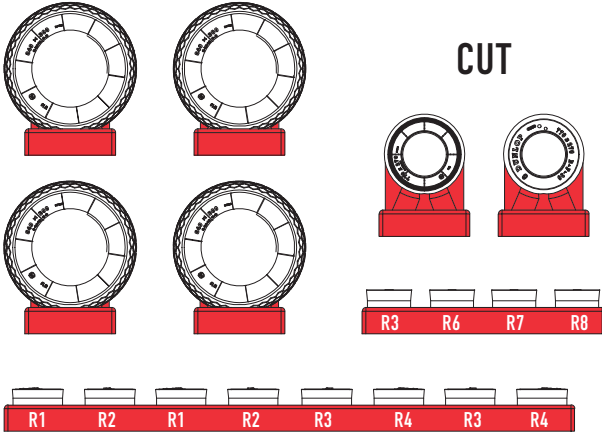
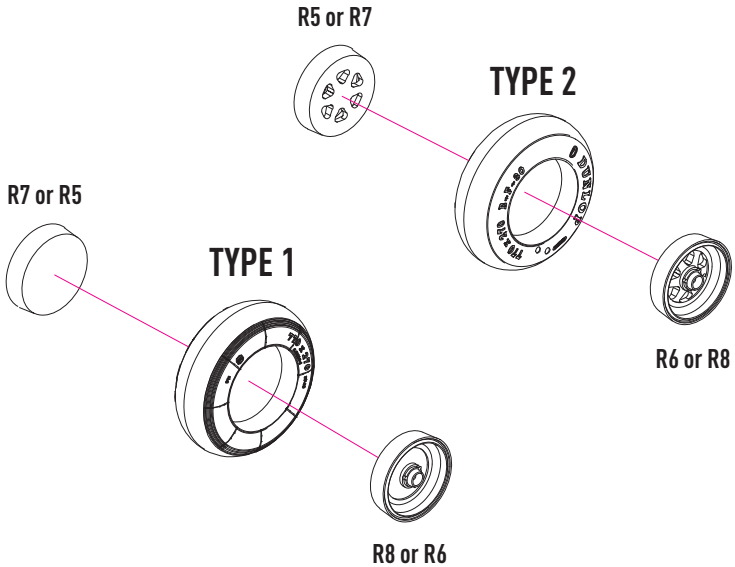


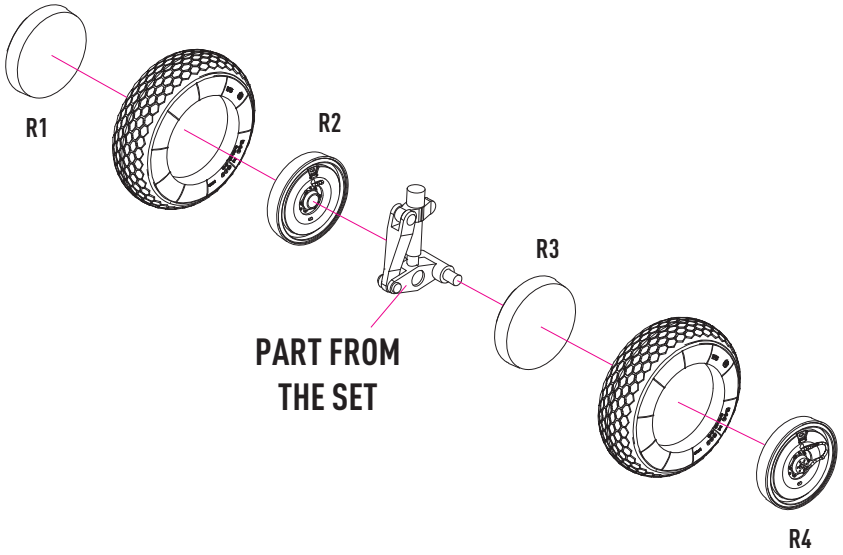
1



2

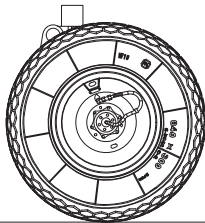


3 X2



4

FLIGHT DIRECTION



**CORRECT WHEEL
ALIGNMENT**

