



RESIN PARTS
FOR SCALE PLASTIC KITS

M272 - 4 RAIL LAUNCHER

FOR HELLFIRE MISSILES (2 PCS)

AH-64, AH-1, UH-60, SH-60, EUROCOPTER TIGER, OH-58

INSTRUCTION **RS48-0316**

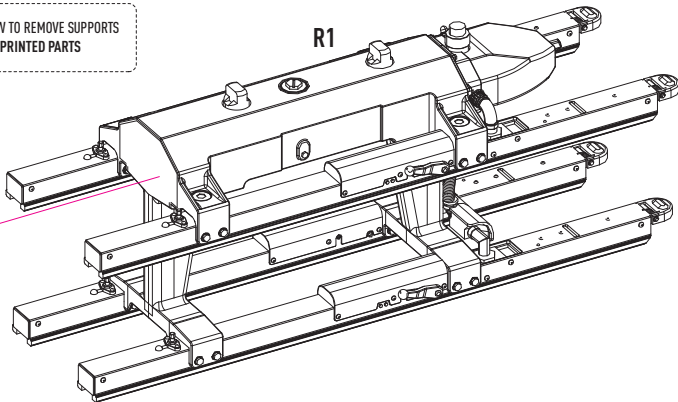


USE A SAW TO REMOVE SUPPORTS
FROM 3D PRINTED PARTS

R1



P1



general issues: info@reskit.com.ua / claim resolution: claims@reskit.com.ua

RESKIT-MODELS.COM

 fb.com/reskit.official

 instagram.com/reskit_official

 pinterest.com/reskit_official



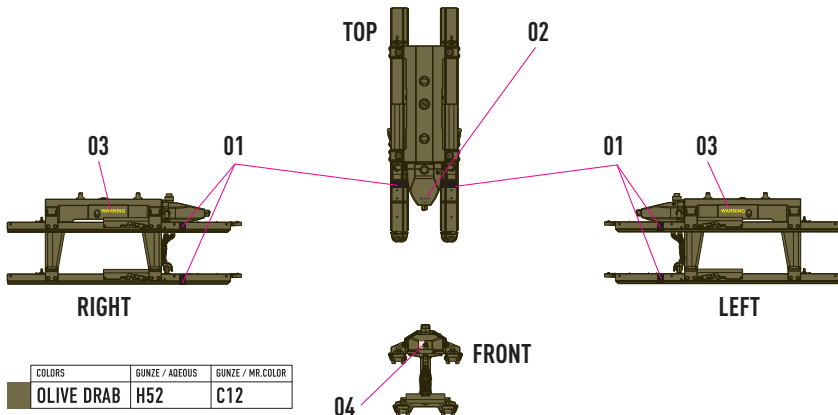
RESIN PARTS
FOR SCALE PLASTIC KITS

M272 - 4 RAIL LAUNCHER

FOR HELLFIRE MISSILES (2 PCS)

AH-64, AH-1, UH-60, SH-60, EUROCOPTER TIGER, OH-58

DECAL INSTRUCTION **RS48-0316**



general issues: info@reskit.com.ua / claim resolution: claims@reskit.com.ua

RESKIT-MODELS.COM

fb.com/reskit.official

instagram.com/reskit_official

pinterest.com/reskit_official