



RESIN PARTS
FOR SCALE PLASTIC KITS

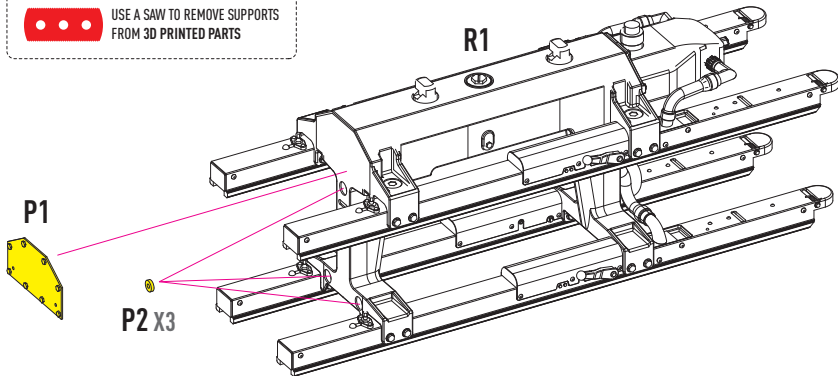
M299 - 4 RAIL LONGBOW LAUNCHER

FOR HELLFIRE MISSILES (2 PCS)
AH-64D/E, UH-60L, OH-58D, AH-1W/Z,
AH-6, UH-1N/Y, HH-60H, MH-60R/S

INSTRUCTION **RS48-0317**



USE A SAW TO REMOVE SUPPORTS
FROM 3D PRINTED PARTS



general issues: info@reskit.com.au / claim resolution: claims@reskit.com.au

RESKIT-MODELS.COM

fb.com/reskit.official

instagram.com/reskit_official

pinterest.com/reskit_official



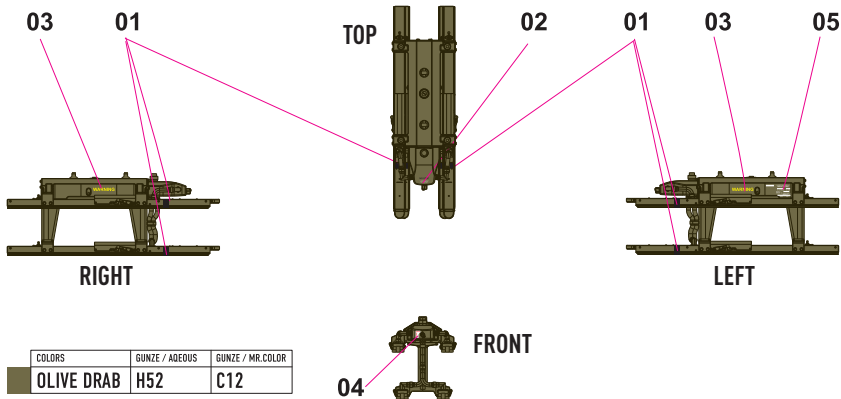
RESIN PARTS
FOR SCALE PLASTIC KITS

M299 - 4 RAIL LONGBOW LAUNCHER

FOR HELLFIRE MISSILES (2 PCS)

AH-64D/E, UH-60L, OH-58D, AH-1W/Z,
AH-6, UH-1N/Y, HH-60H, MH-60R/S

DECAL INSTRUCTION **RS48-0317**



| COLORS | GUNZE / AGEOUS | GUNZE / MR.COLOR |
|------------|----------------|------------------|
| OLIVE DRAB | H52 | C12 |

general issues: info@reskit.com.ua / claim resolution: claims@reskit.com.ua

RESKIT-MODELS.COM

fb.com/reskit.official

instagram.com/reskit_official

pinterest.com/reskit_official