



RESIN PARTS
FOR SCALE PLASTIC KITS

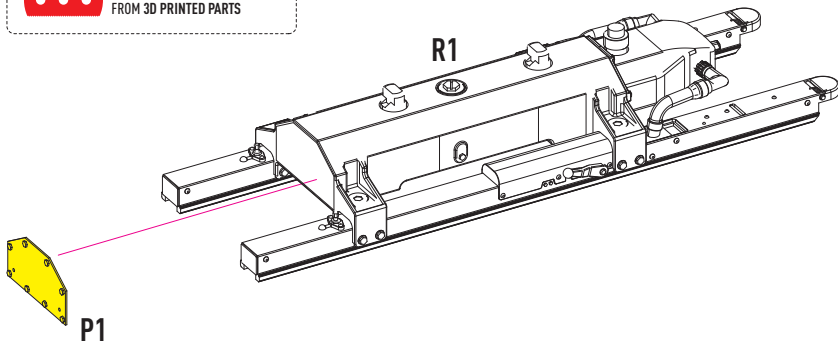
M310 - 2 RAIL LAUNCHER FOR HELLFIRE MISSILES (2 PCS)

AH-64D/E, UH-60L, OH-58D, AH-6, AH-1W/Z,
UH-1N/Y, HH-60H, MH-60R/S

INSTRUCTION **RS48-0318**



USE A SAW TO REMOVE SUPPORTS
FROM 3D PRINTED PARTS



general issues: info@reskit.com.au / claim resolution: claims@reskit.com.au

RESKIT-MODELS.COM

 fb.com/reskit.official

 instagram.com/reskit_official

 pinterest.com/reskit_official

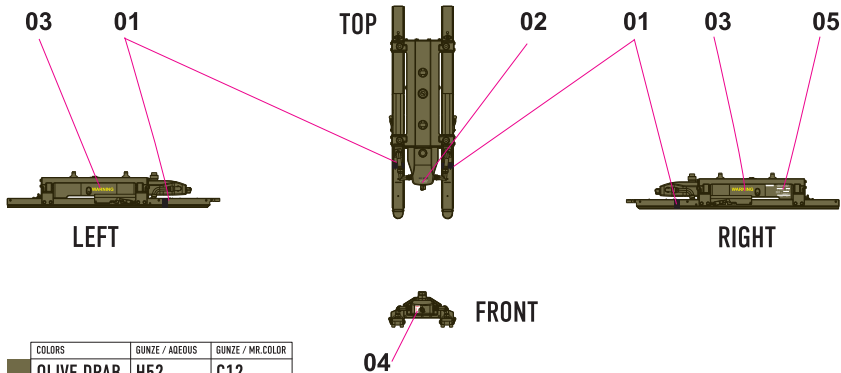


RESIN PARTS
FOR SCALE PLASTIC KITS

M310 - 2 RAIL LAUNCHER FOR HELLFIRE MISSILES (2 PCS)

AH-64D/E, UH-60L, OH-58D, AH-6, AH-1W/Z,
UH-1N/Y, HH-60H, MH-60R/S

DECAL INSTRUCTION **RS48-0318**



COLORS	GUNZE / AGEUS	GUNZE / MR.COLOR
OLIVE DRAB	H52	C12

general issues: info@reskit.com.ua / claim resolution: claims@reskit.com.ua

RESKIT-MODELS.COM

fb.com/reskit.official

instagram.com/reskit_official

pinterest.com/reskit_official