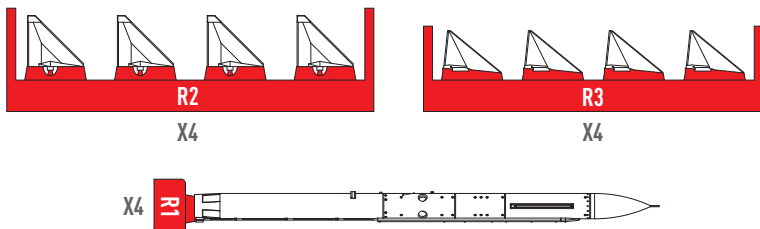
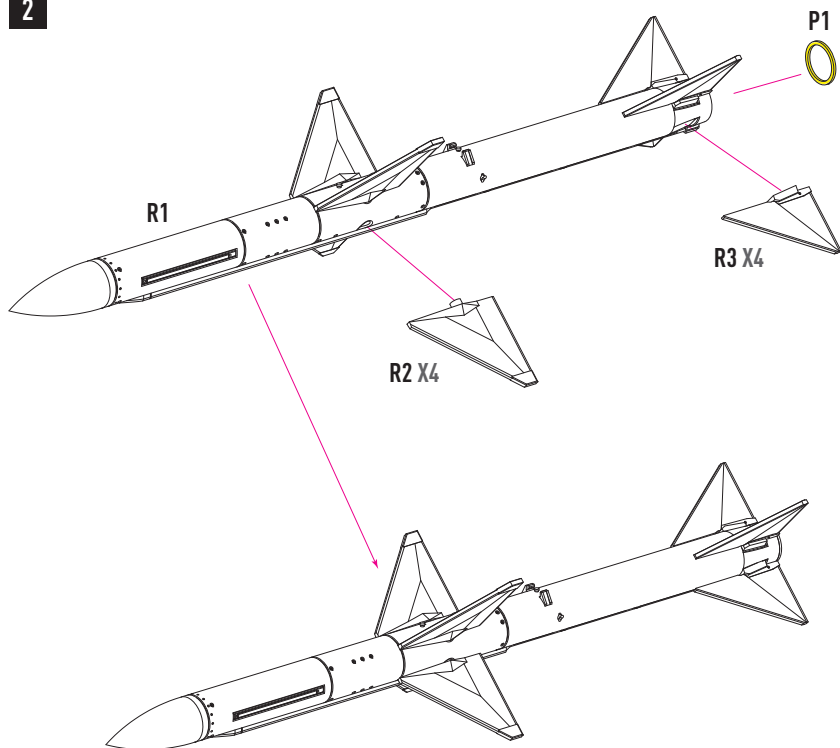


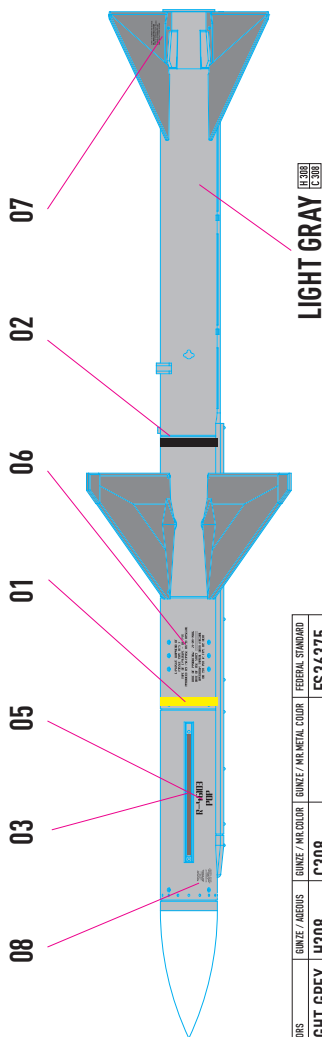
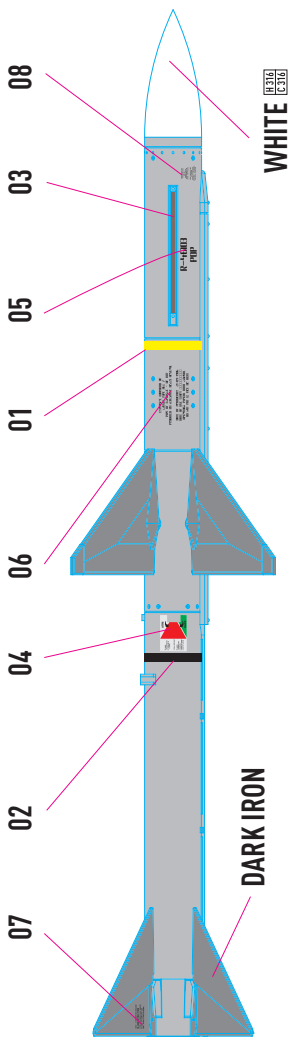
### 1 CUT



### 2



PAINTING INSTRUCTION



COLORS	GUNZE / AERIGUS	GUNZE / MR. COLOR	GUNZE / MR. METAL COLOR	FEDERAL STANDARD
LIGHT GREY	H308	C308		FS36375
WHITE	H316	C316		FS17875
DARK IRON			MC214	