



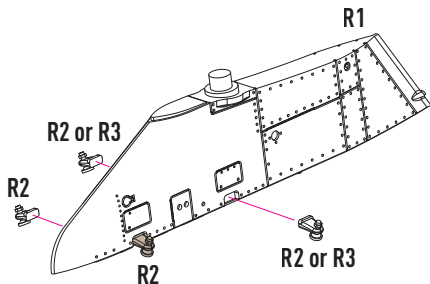
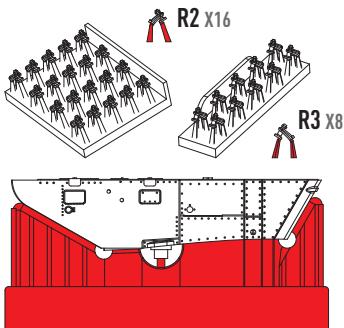
RESIN PARTS
FOR SCALE PLASTIC KITS

PIVOT PYLONS (4 PCS) FOR F-111 A/D/E/F

INSTRUCTION **RS48-0338**

CUT

USE A SAW TO REMOVE SUPPORTS
FROM 3D PRINTED PARTS



USE R3 FOR BRU-3A

general Issues: info@reskit.com.ua / claim resolution: claims@reskit.com.ua

RESKIT-MODELS.COM

[fb.com/reskit.official](https://www.facebook.com/reskit.official)

[instagram.com/reskit_official](https://www.instagram.com/reskit_official)

[pinterest.com/reskit_official](https://www.pinterest.com/reskit_official)

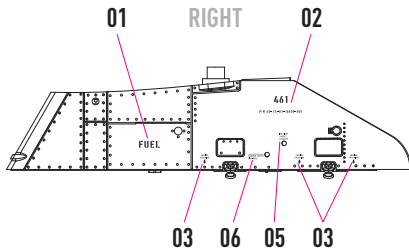
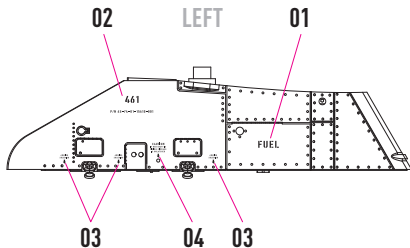


RESIN PARTS
FOR SCALE PLASTIC KITS

PIVOT PYLONS (4 PCS)

FOR F-111 A/D/E/F

DECAL INSTRUCTION **RS48-0338**



general issues: info@reskit.com.ua / claim resolution: claims@reskit.com.ua

RESKIT-MODELS.COM

[fb.com/reskit.official](https://www.facebook.com/reskit.official)

[instagram.com/reskit_official](https://www.instagram.com/reskit_official)

[pinterest.com/reskit_official](https://www.pinterest.com/reskit_official)