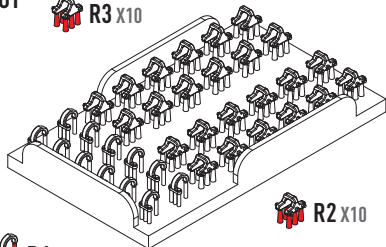


CUT

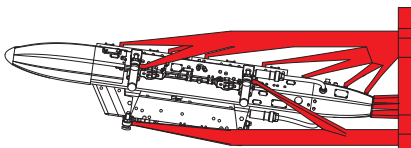
 R3 X10



 R2 X10

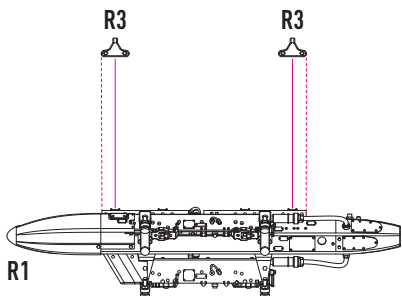
 R4 X10

USE A SAW TO REMOVE SUPPORTS  
FROM 3D PRINTED PARTS



R1 X5

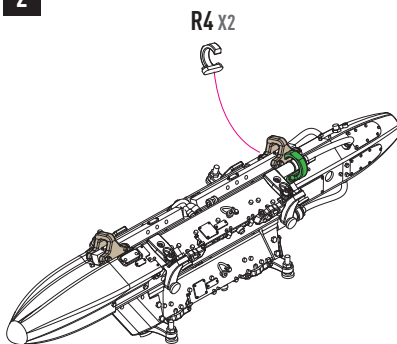
### 1 FOR A-7 / S-3 / F-4



R1

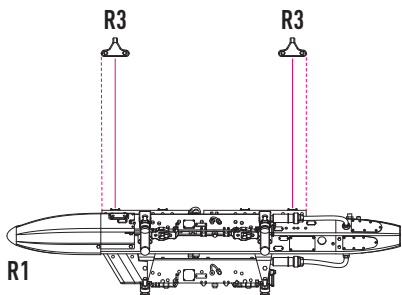
CENTERLINE / WING

### 2



R4 X2

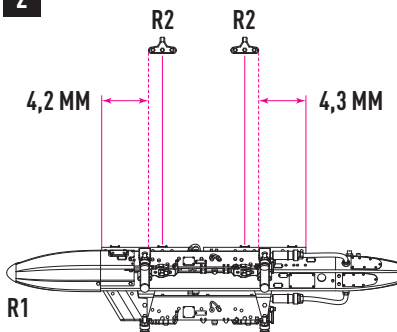
### 1 FOR A-4 SKYHAWK



R1

CENTERLINE

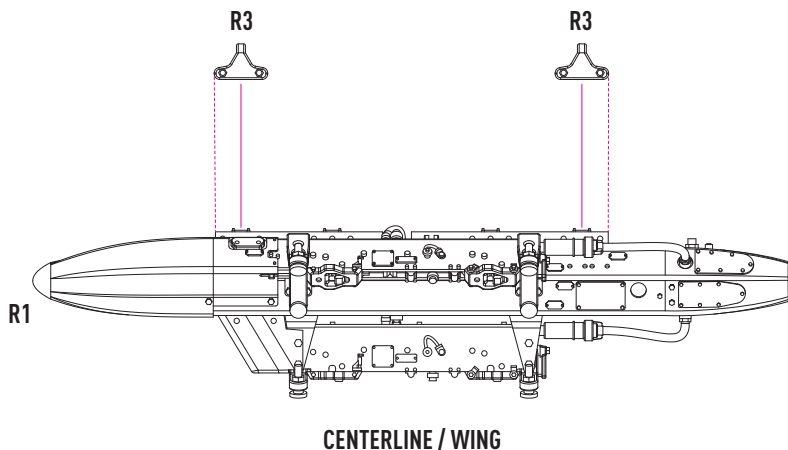
### 2



R1

WING

### 1 FOR A-6 INTRUDER



### DECAL INSTRUCTION

