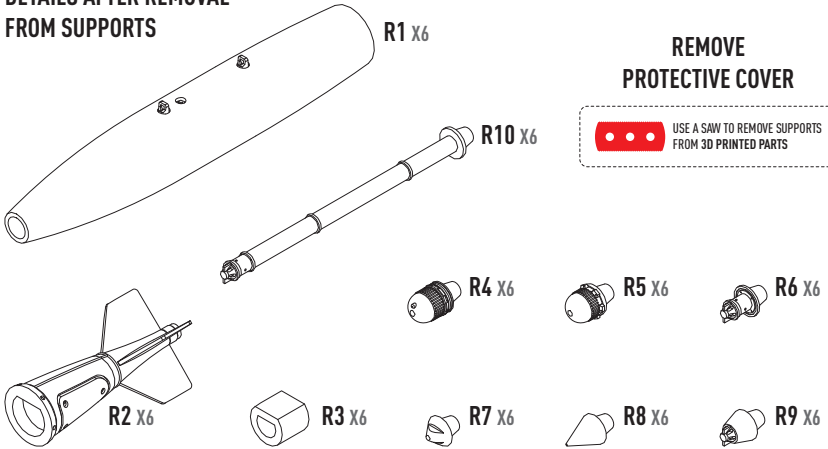


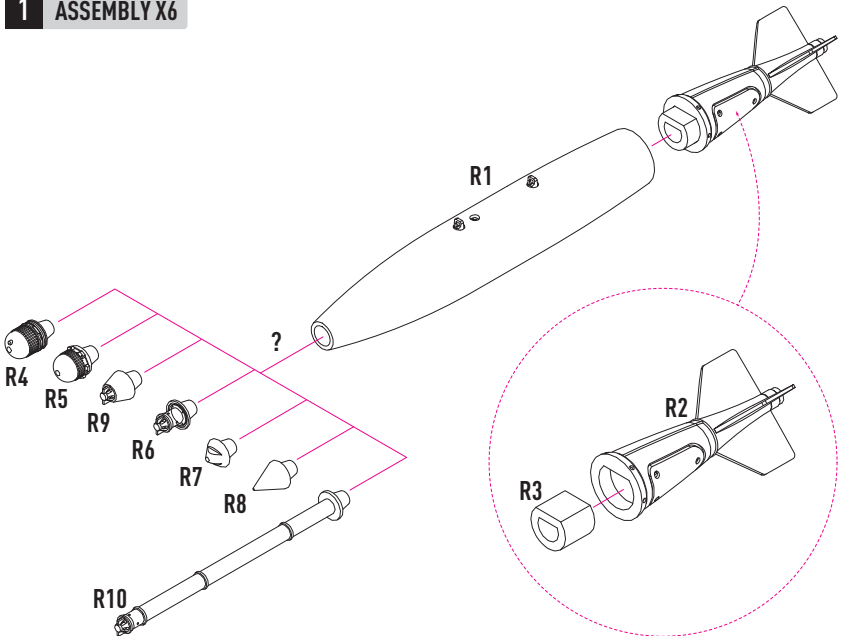
DETAILS AFTER REMOVAL FROM SUPPORTS



REMOVE PROTECTIVE COVER

USE A SAW TO REMOVE SUPPORTS
FROM 3D PRINTED PARTS

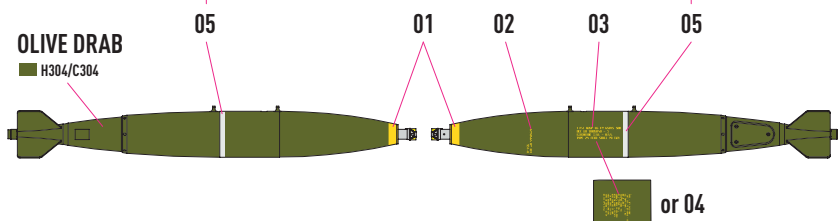
1 ASSEMBLY X6



COLORS	GUNZE / AERIGUS	GUNZE / MR.COLOR	GUNZE / MR.METAL COLOR	FEDERAL STANDARD
OLIVE DRAB	H304	C304		FS34087
YELLOW	H4	C4		FS33538
STAINLESS			MC213	
FLAT BLACK	H12	C33		
GREEN	H6	C6		
RUSSET	H33	C81		
GOLD			MC217	

ONLY USED WITH MK32 AD (QS MINES)
& MK 32 AD (DST MINES)

ONLY USED WITH MK32 AD (QS MINES)
& MK 32 AD (DST MINES)



MK 82 FUZING OPTIONS

M1A1		R10
M904		R6
USAF NOSE PLUG		R7
DSU-33		R4
OGIVE NOSE PLUG		R8
MK 32 AD (QS MINES) & MK 32 AD (DST MINES)		R9
FMU-113		R5