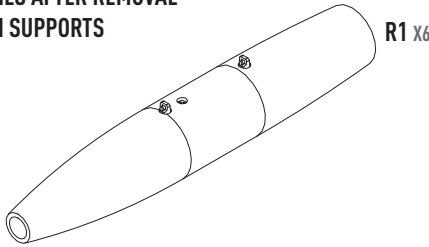
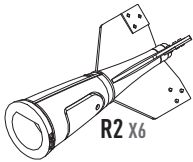


**DETAILS AFTER REMOVAL
FROM SUPPORTS**

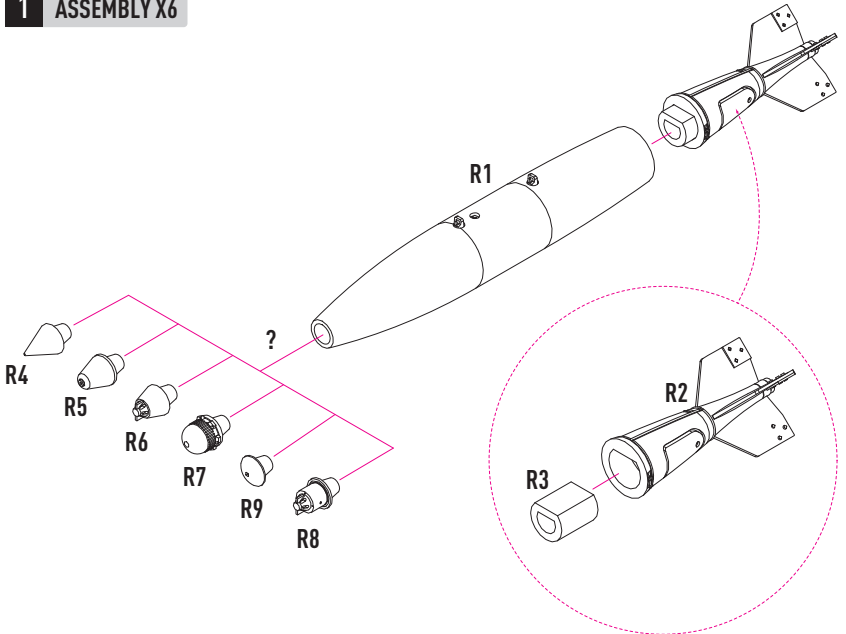


**REMOVE
PROTECTIVE COVER**

**USE A SAW TO REMOVE SUPPORTS
FROM 3D PRINTED PARTS**

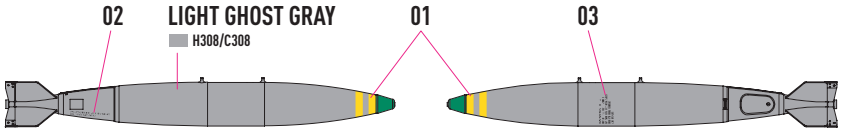


1 ASSEMBLY X6

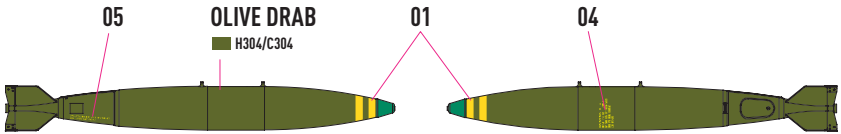


COLORS	GUNZE / ADEOUS	GUNZE / MR.COLOR	GUNZE / MR.METAL COLOR	FEDERAL STANDARD
OLIVE DRAB	H304	C304		FS34087
YELLOW	H4	C4		FS33538
STAINLESS			MC213	
FLAT BLACK	H12	C33		
GREEN	H6	C6		
RUSSET	H33	C81		
GOLD			MC217	
LIGHT GHOST GRAY	H308	C308		FS36375

V2 LATE PAINTING



V1 EARLY PAINTING



MK 82 FUZING OPTIONS

DSU-33	H12/C33	R7
OGIVE NOSE PLUG	H33/C81	R4
M904E4	SILVER + CLEAR YELLOW OR SILVER + CLEAR GREEN MC213	R8
MK 43 TDD	H6/C6 MC213	R5
MK 32 AD (QS MINES) & MK 32 AD (DST MINES)	MC217 MC213	R6
MXU-735	H304/C304	R9