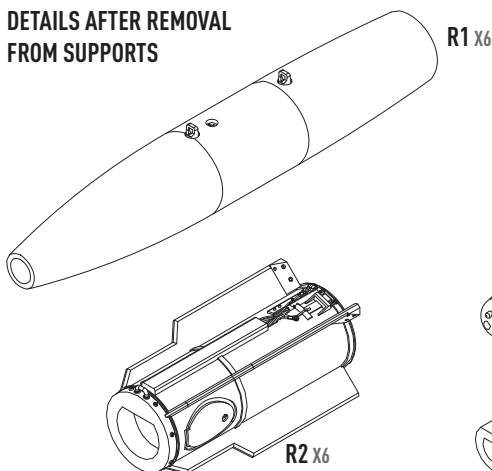


#### DETAILS AFTER REMOVAL FROM SUPPORTS

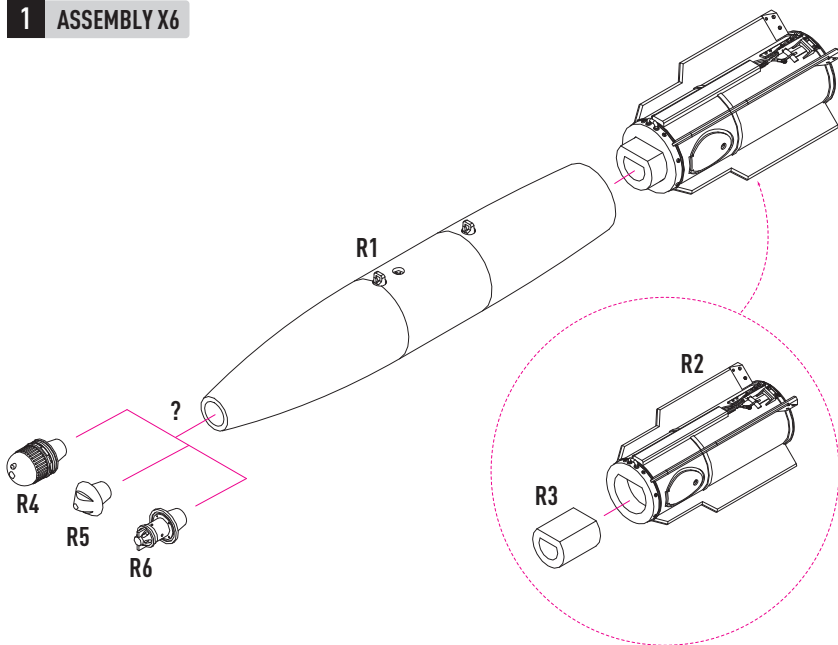


#### REMOVE PROTECTIVE COVER

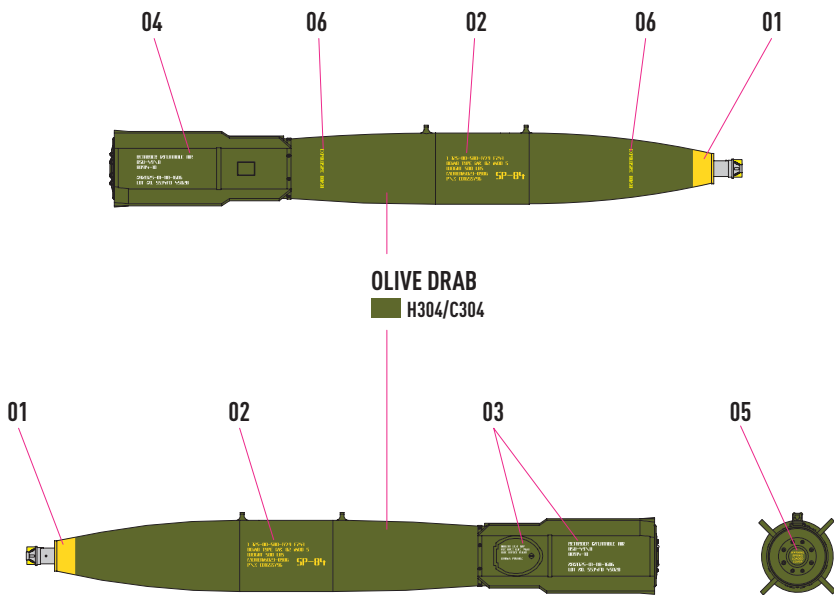
USE A SAW TO REMOVE SUPPORTS  
FROM 3D PRINTED PARTS



### 1 ASSEMBLY X6



COLORS	GUNZE / AEGIUS	GUNZE / MR.COLOR	GUNZE / MR.METAL COLOR	FEDERAL STANDARD
OLIVE DRAB	H304	C304		FS34087
YELLOW	H4	C4		FS33538
STAINLESS			MC213	
FLAT BLACK	H12	C33		



### MK 82 FUZING OPTIONS

M904		R6
USAF NOSE PLUG		R5
FMU-113		R4