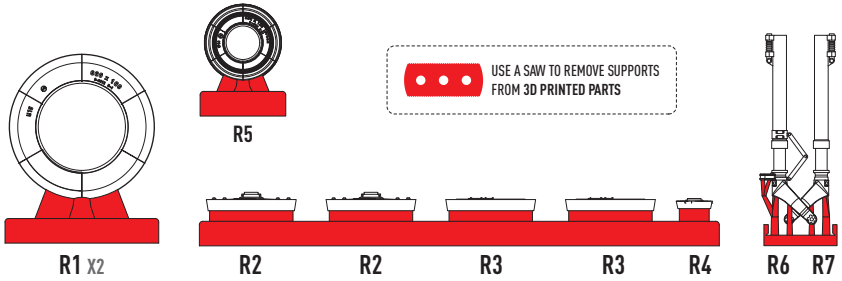
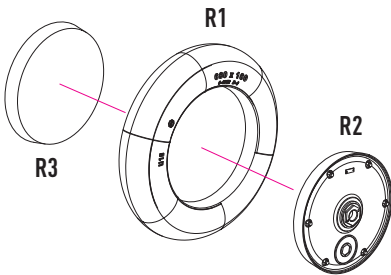


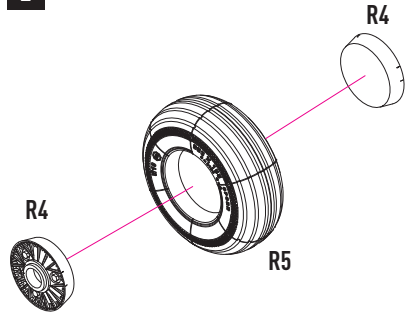
### CUT



### 1 X2



### 2



### 3

### CORRECT WHEEL POSITION

