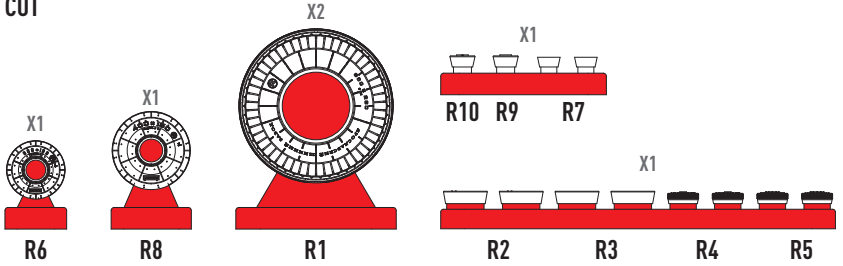
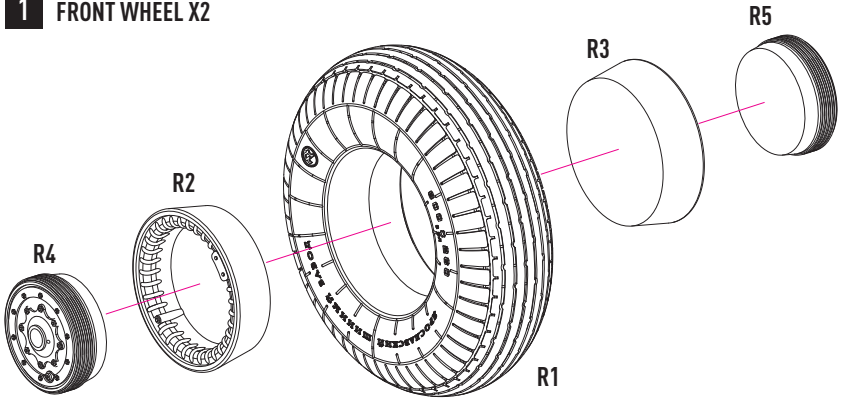


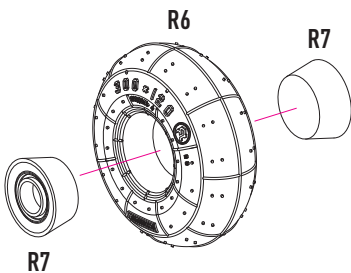
CUT



1 FRONT WHEEL X2



2 REAR WHEEL (ONE-SEAT PLANE)



3 REAR WHEEL (TWO-SEAT PLANE)

