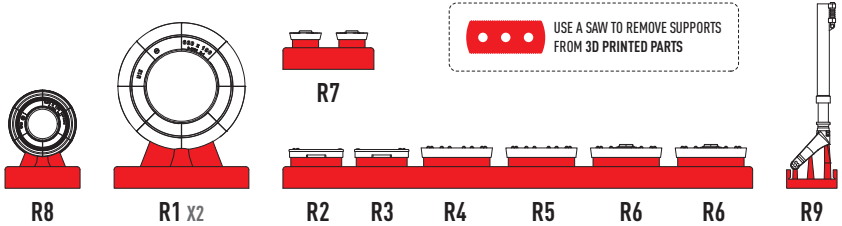
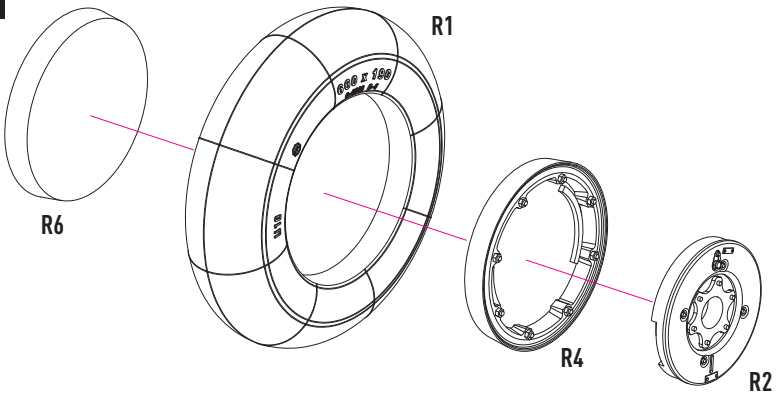


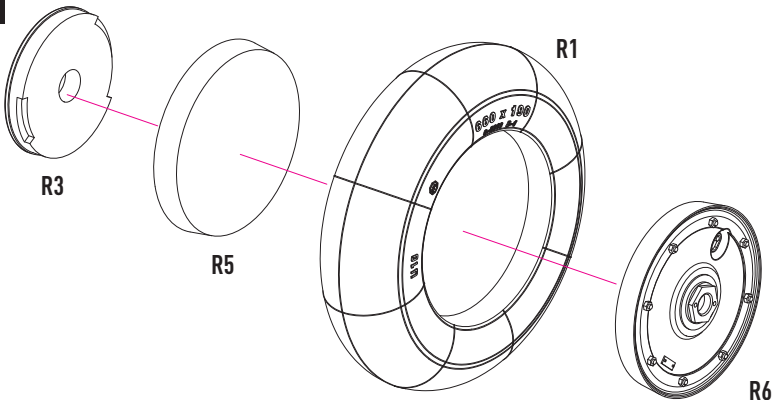
CUT



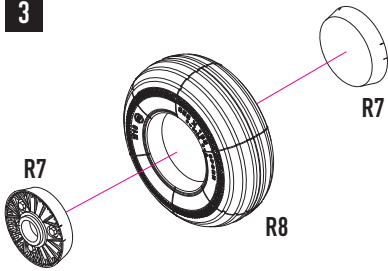
1



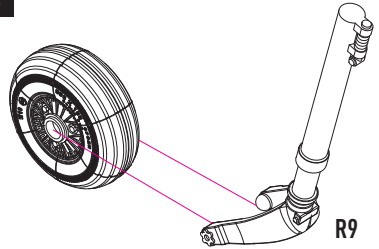
2



3

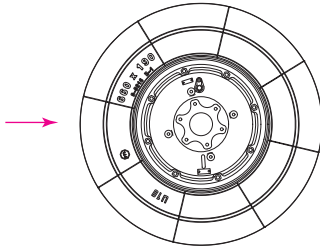


4



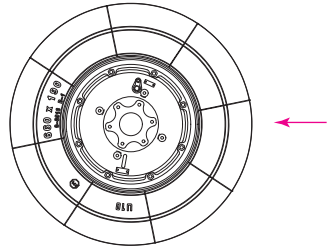
5 CORRECT WHEEL POSITION

R1+R2+R4+R6



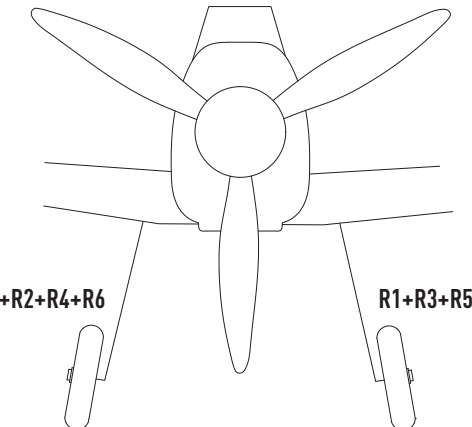
LEFT (VIEW IN FLIGHT)

R1+R3+R5+R6



RIGHT (VIEW IN FLIGHT)

R1+R2+R4+R6



R1+R3+R5+R6