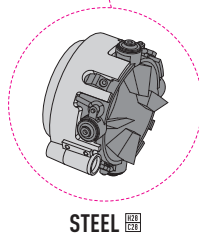
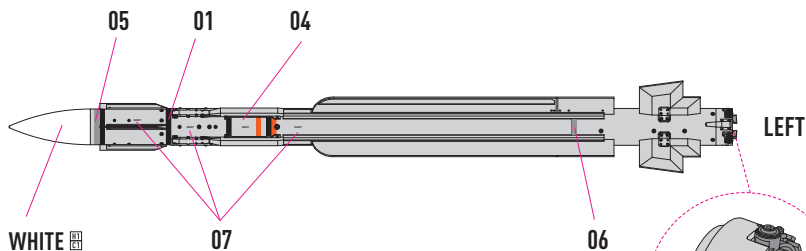
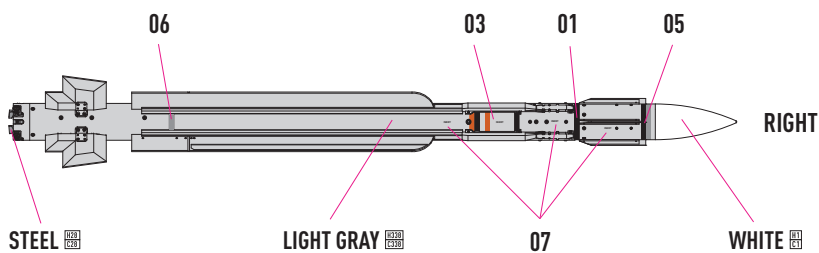
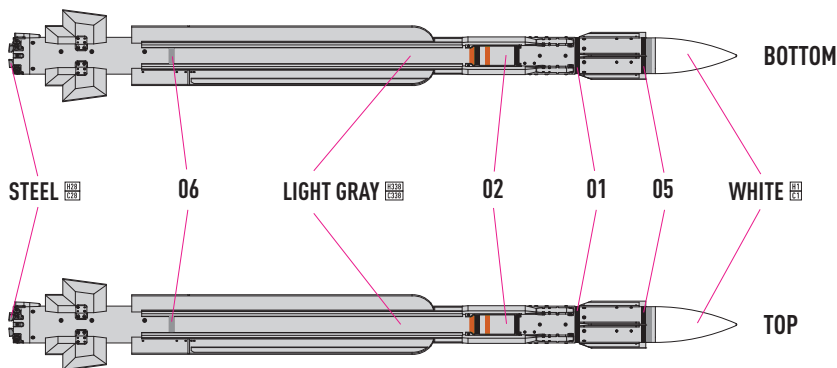


USE A SAW TO REMOVE SUPPORTS
FROM 3D PRINTED PARTS



COLORS	GUNZE / AEGEUS	GUNZE / MR.COLOR	FEDERAL STANDARD
WHITE	H1	C1	
LIGHT GRAY	H338	C338	FS36495
STEEL	H28	C28	