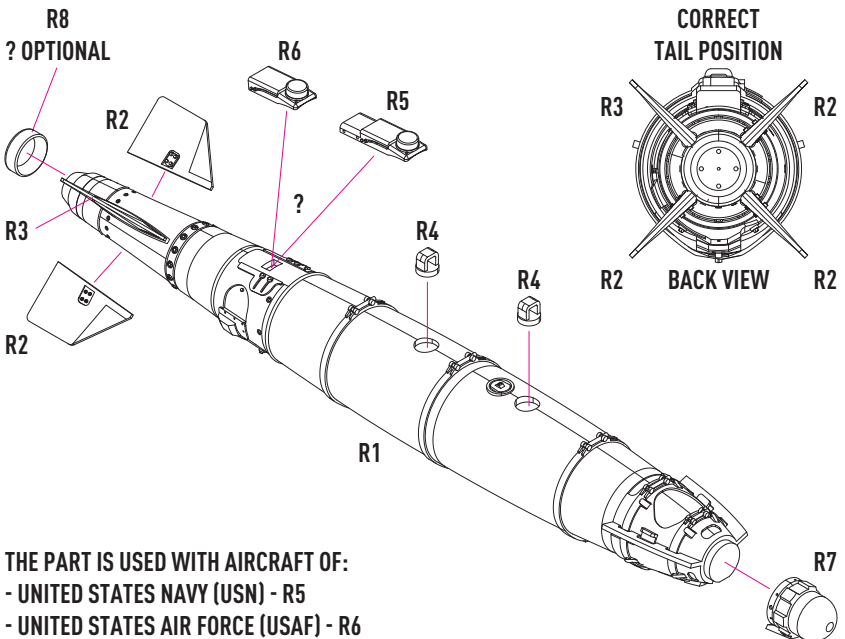
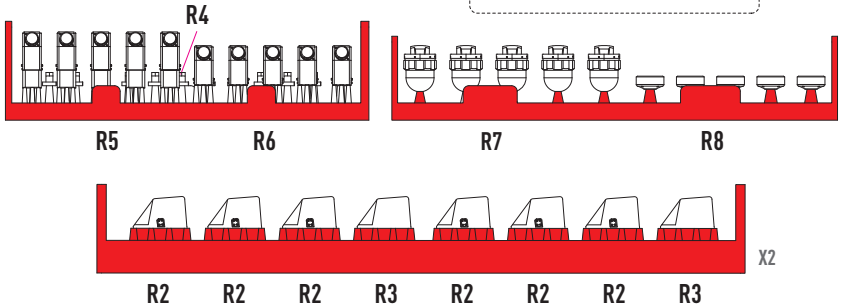


USE A SAW TO REMOVE SUPPORTS FROM 3D PRINTED PARTS



THE PART IS USED WITH AIRCRAFT OF:  
 - UNITED STATES NAVY (USN) - R5  
 - UNITED STATES AIR FORCE (USAF) - R6

## GBU-54 (LJDAM) BOMBS

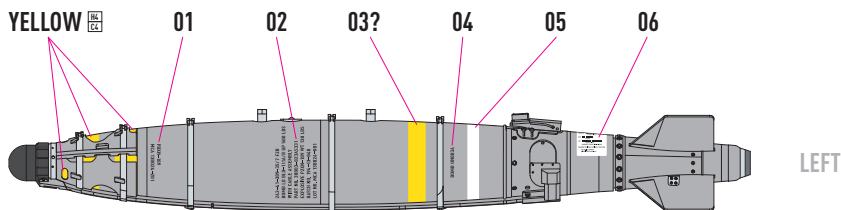
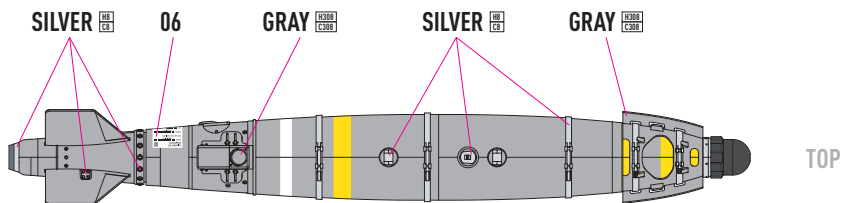
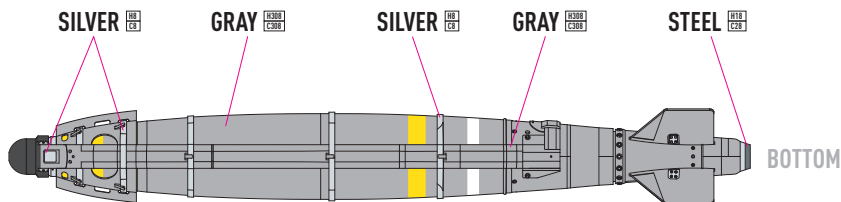
THERMALLY PROTECTED (4 PCS)

AV-8B, F/A-18A-F, F-35B, F-35C

DECAL INSTRUCTION **RS48-0366**

COLORS	GUNZE / AEGISUS	GUNZE / MR.COLOR	FEDERAL STANDARD
OLIVE DRAB	H304	C304	FS 34087
YELLOW	H4	C4	FS 33538
FLAT BLACK	H12	C33	

COLORS	GUNZE / AEGISUS	GUNZE / MR.COLOR	FEDERAL STANDARD
GRAY	H308	C308	FS 36375
STEEL	H18	C28	
SILVER	H8	C8	



### GBU-38 FUZING OPTIONS

DSU-38A/B PLS WITH ADJUSTABLE PROXIMITY SENSOR (APS)		R7
AJ SAASM GPS ANTENNA (OPTIONAL)		R8