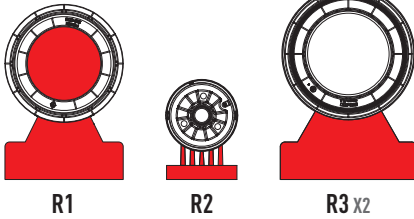
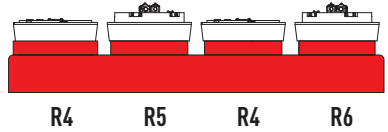


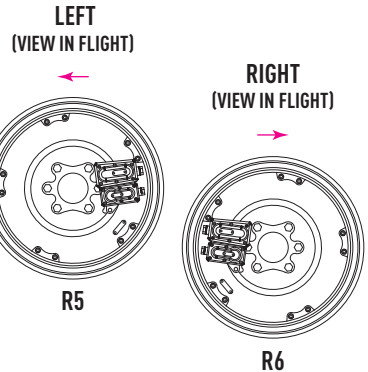
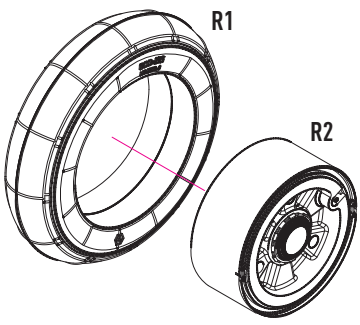
CUT



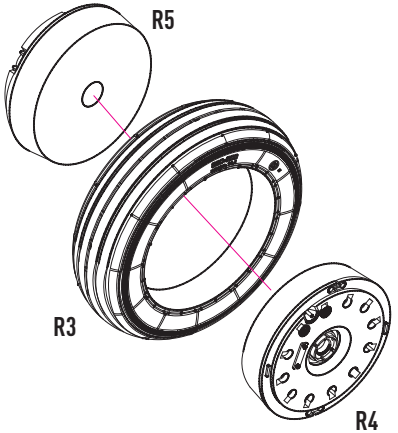
USE A SAW TO REMOVE SUPPORTS FROM 3D PRINTED PARTS



1 FRONT WHEEL



2 MAIN WHEEL (LEFT)



3 MAIN WHEEL (RIGHT)

