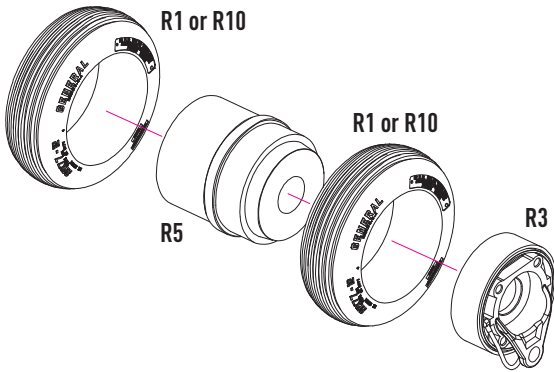
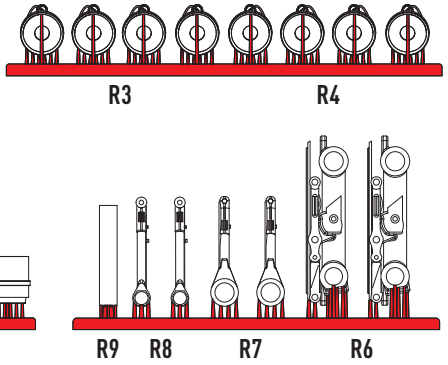
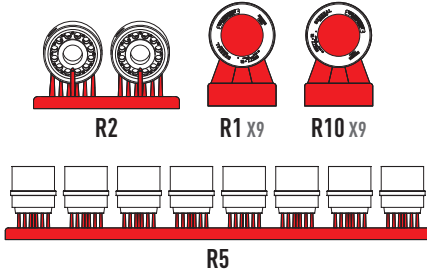
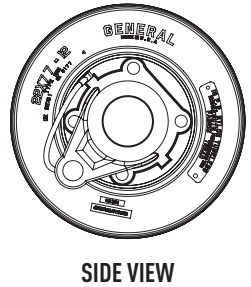


**CUT**

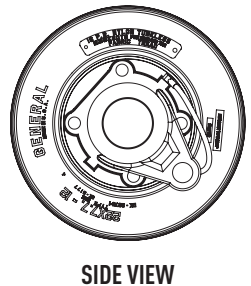
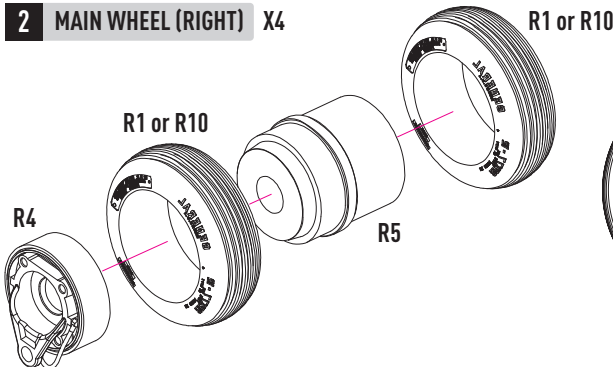
USE A SAW TO REMOVE SUPPORTS  
FROM 3D PRINTED PARTS



**X4 MAIN WHEEL (LEFT) 1**

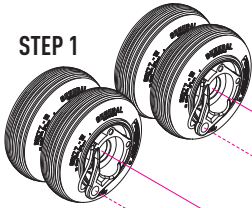


**2 MAIN WHEEL (RIGHT) X4**

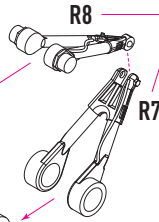


**3** X2

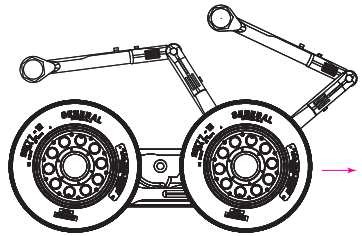
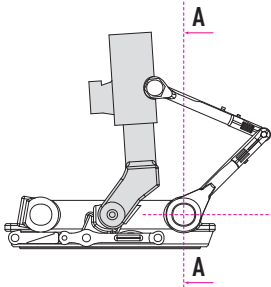
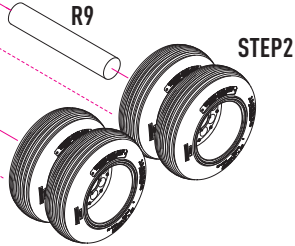
**PART 43 FROM MONOGRAM KIT**



REMOVE PART 48 FROM  
MONOGRAM KIT AND  
REPLACE WITH  
PART R6

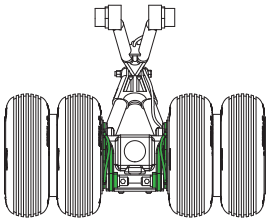


REMOVE PART 46 FROM  
MONOGRAM KIT AND  
REPLACE WITH  
R7, R8 PARTS  
(DO NOT GLUE)



ADJUSTABLE ANGLE

**BACK VIEW**



ASSEMBLY OF THE FRONT AND  
REAR AXLES ARE THE SAME

**4** **FRONT WHEEL**

**PART 26 FROM  
MONOGRAM KIT**

