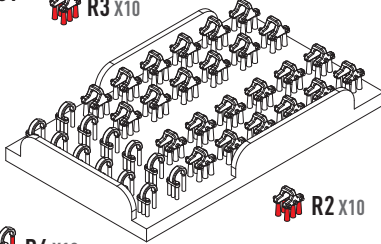


CUT

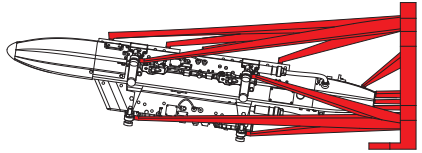
 R3 X10



 R2 X10

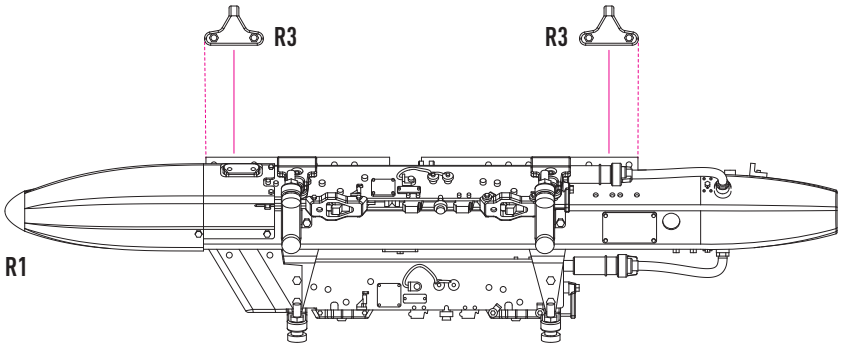
 R4 X10

 USE A SAW TO REMOVE SUPPORTS
FROM 3D PRINTED PARTS



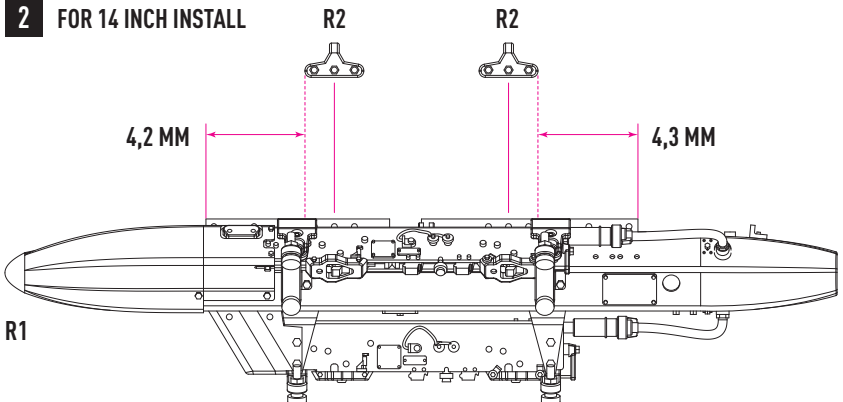
R1 X5

1 FOR 30 INCH INSTALL



R1

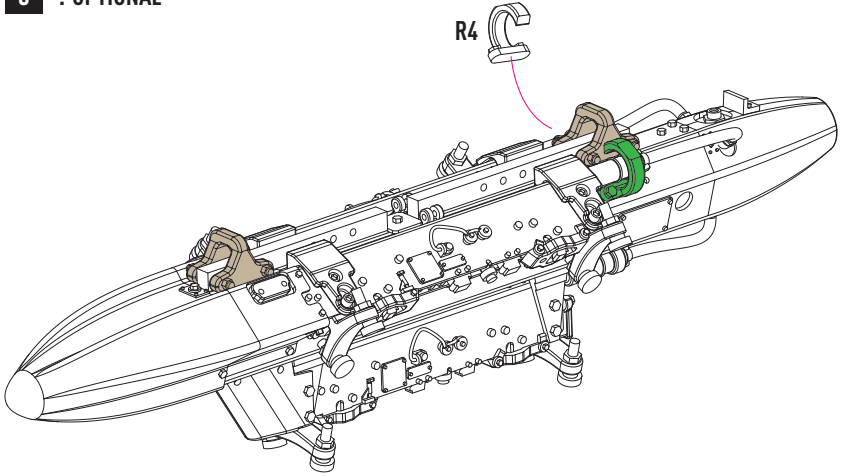
2 FOR 14 INCH INSTALL



R1

3 ? OPTIONAL

R4



DECAL INSTRUCTION

