



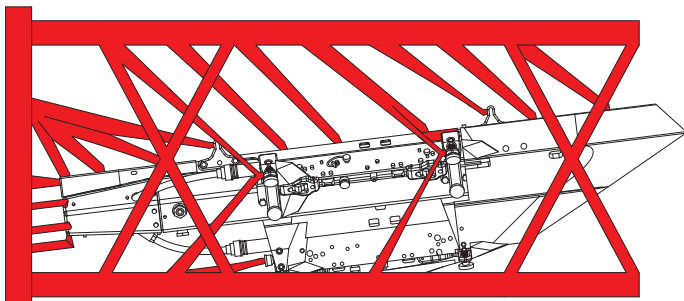
RESIN PARTS
FOR SCALE PLASTIC KITS

TER-9/A MOD TRIPLE EJECTOR RACK FOR F-16 (2 PCS)

INSTRUCTION **RS48-0387**



USE A SAW TO REMOVE SUPPORTS
FROM 3D PRINTED PARTS



R1 X2

general issues: info@reskit.com.ua / claim resolution: claims@reskit.com.ua

RESKIT-MODELS.COM

 fb.com/reskit.official

 instagram.com/reskit_official

 pinterest.com/reskit_official

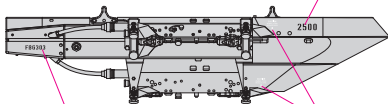


RESIN PARTS
FOR SCALE PLASTIC KITS

TER-9/A MOD TRIPLE EJECTOR RACK FOR F-16 (2 PCS)

DECAL INSTRUCTION **RS48-0387**

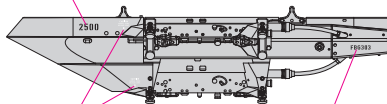
V1 RIGHT 05 ? 06 ? 07 ? 08



01 ? 02 ? 03 ? 04

11

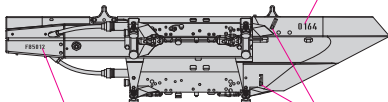
05 ? 06 ? 07 ? 08 LEFT



11

01 ? 02 ? 03 ? 04

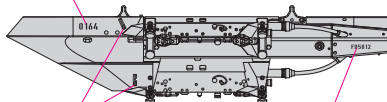
V2 05 ? 06 ? 07 ? 08



01 ? 02 ? 03 ? 04

10

05 ? 06 ? 07 ? 08



09

01 ? 02 ? 03 ? 04

general issues: info@reskit.com.ua / claim resolution: claims@reskit.com.ua

RESKIT-MODELS.COM

fb.com/reskit.official

instagram.com/reskit_official

pinterest.com/reskit_official