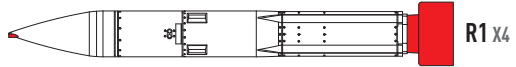
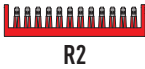
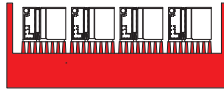
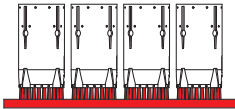


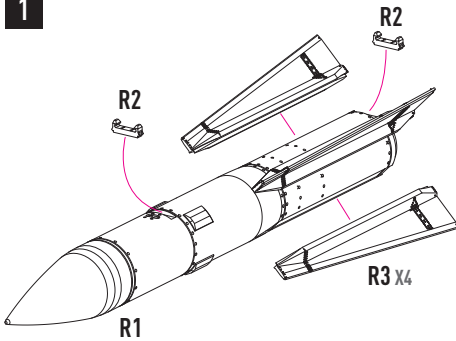
CUT



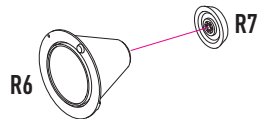
USE A SAW TO REMOVE SUPPORTS
FROM 3D PRINTED PARTS



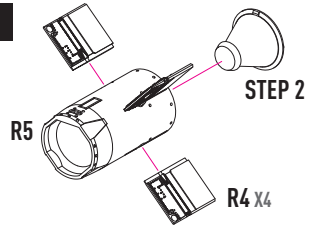
1



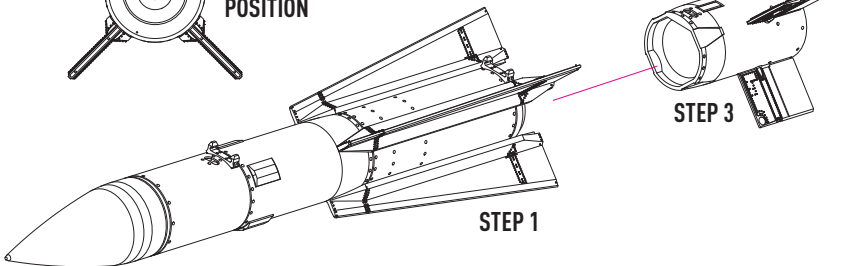
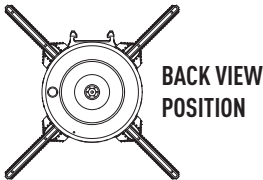
2



3

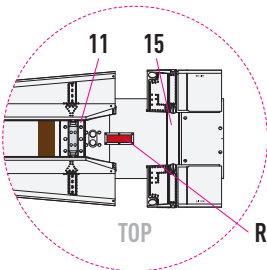
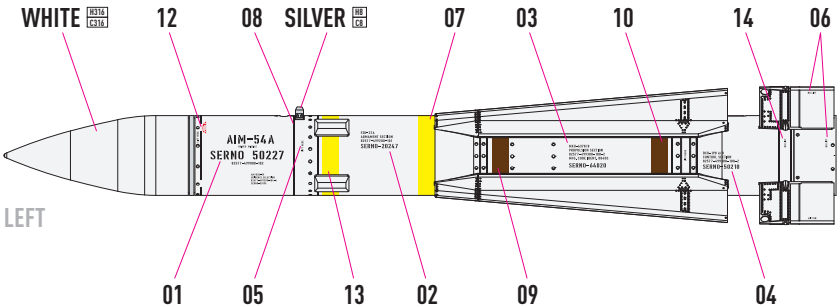
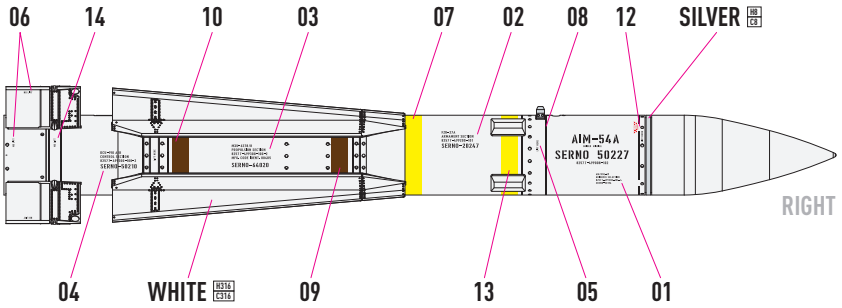


4

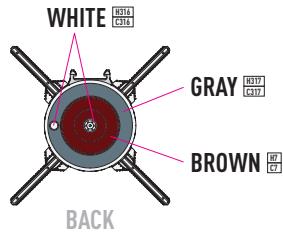


COLORS	GUNZE / AEGISUS	GUNZE / MR.COLOR	FEDERAL STANDARD
WHITE	H316	C316	FS 17875
BROWN	H7	C7	
SILVER	H8	C8	

COLORS	GUNZE / AEGISUS	GUNZE / MR.COLOR	FEDERAL STANDARD
GRAY	H317	C317	FS 36231
RED MADDER	H86	C68	



RED MADDER (H86, C68)



BACK