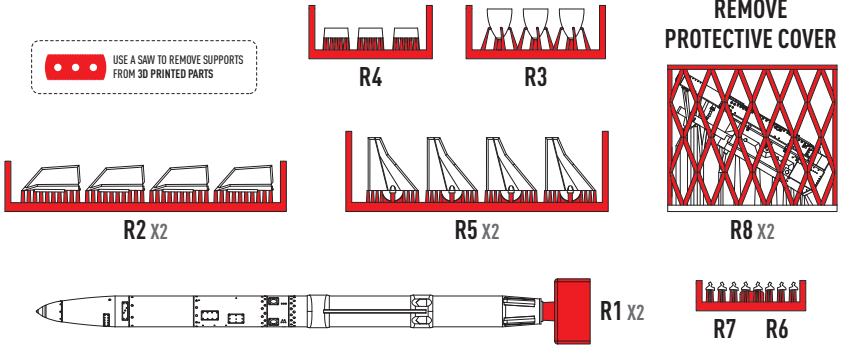
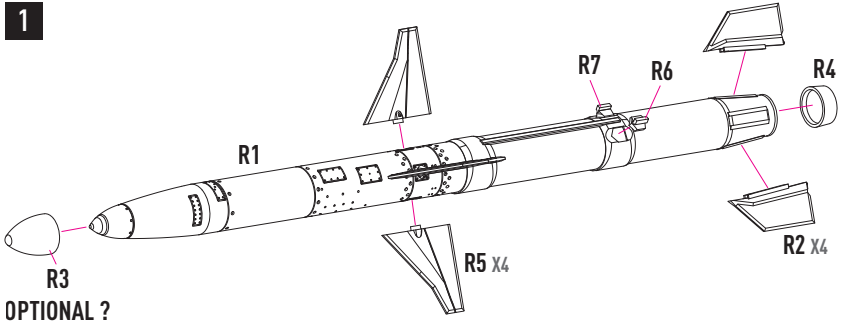


CUT

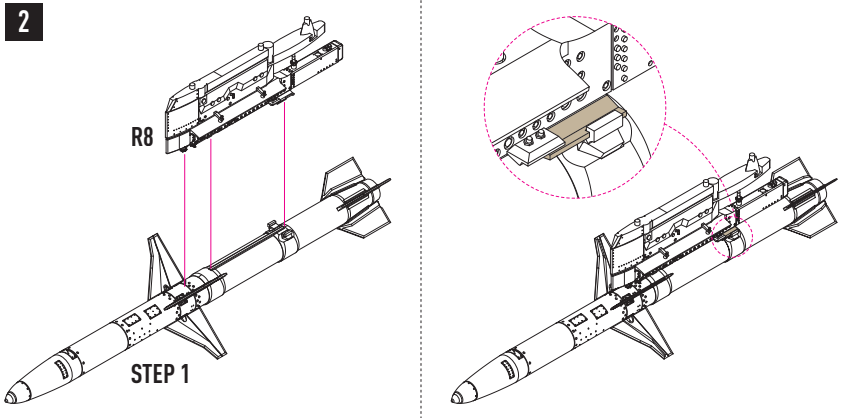
USE A SAW TO REMOVE SUPPORTS
FROM 3D PRINTED PARTS



1



2



| COLORS | GUNZE / AEGYPT | GUNZE / MR.COLOR | FEDERAL STANDARD |
|--------|----------------|------------------|------------------|
| WHITE | H316 | C316 | FS 17875 |
| GRAY | H308 | C308 | FS 36375 |
| RED | H3 | C3 | |

21 ONLY FOR UKRAINIAN AIR FORCE
(WAR IN UKRAINE 2022)

TRANSLATION - YOU STINK OF RADAR

