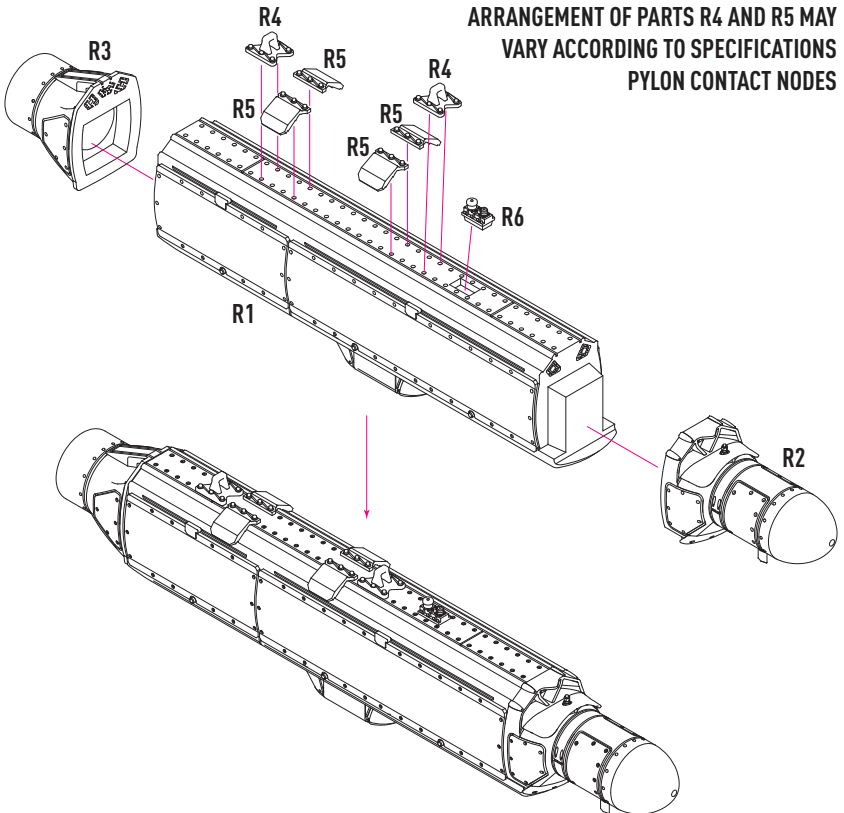
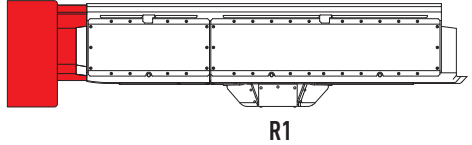
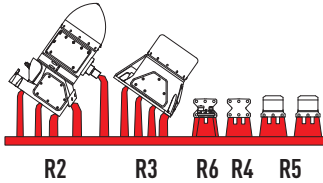


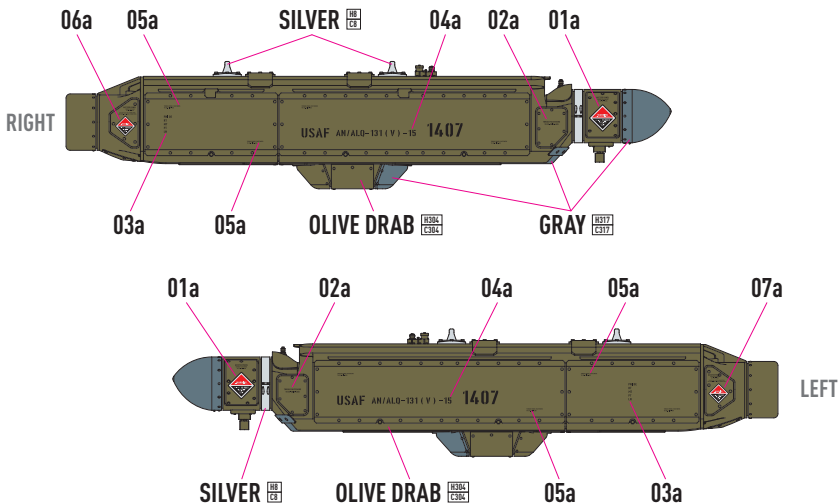
#### CUT

USE A SAW TO REMOVE SUPPORTS  
FROM 3D PRINTED PARTS



### PAINT INSTRUCTION V1

COLOR	CODE / ABBREV	COLOR / PMS COLOR	FEDERAL STANDARD
OLIVE DRAB	H304	C304	FS 34087
GRAY	H317	C317	FS 36231
SILVER	H8	C8	



### PAINT INSTRUCTION V2

COLOR	CODE / ABBREV	COLOR / PMS COLOR	FEDERAL STANDARD
GUNSHIP GREY	H305	C305	FS 36118
GRAY	H317	C317	FS 36231
SILVER	H8	C8	

