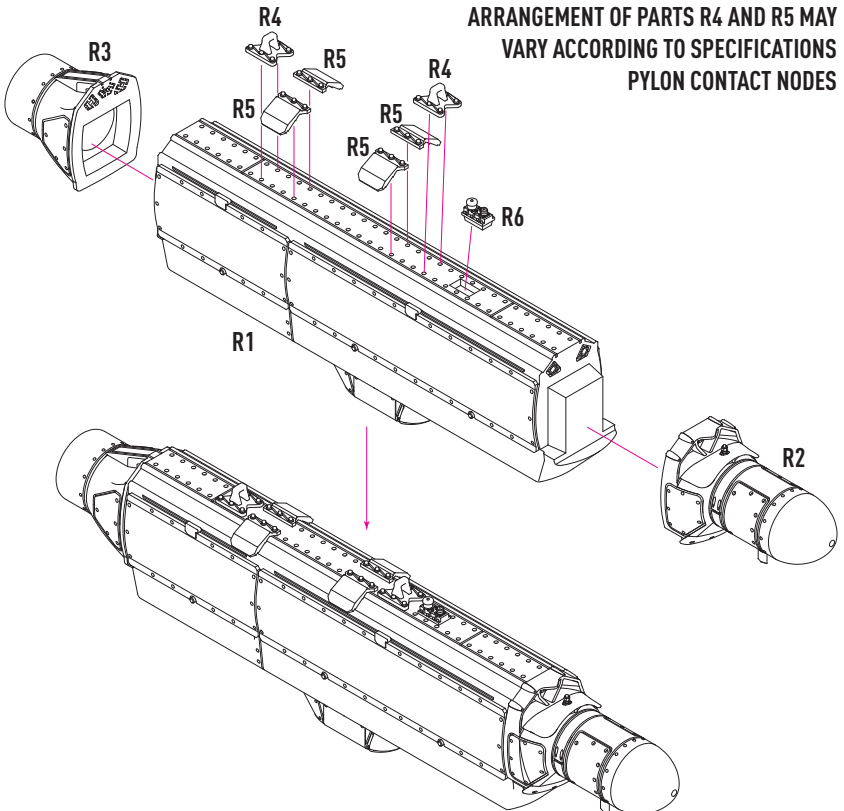
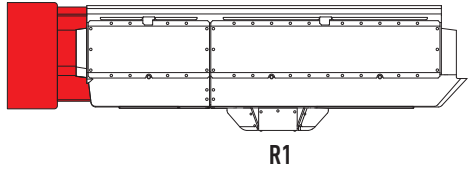
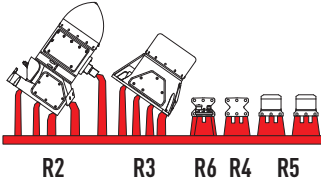


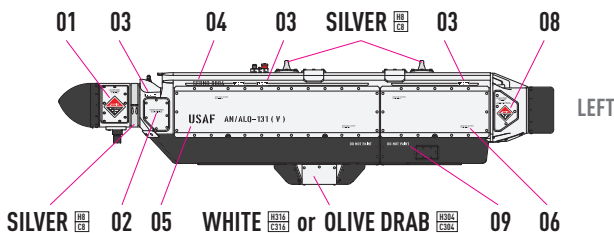
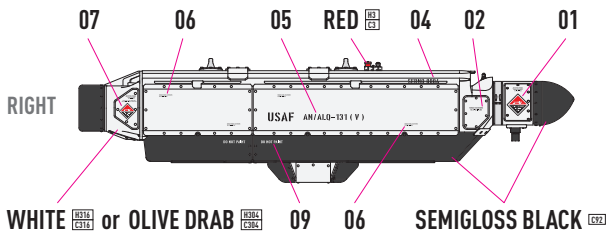
CUT

USE A SAW TO REMOVE SUPPORTS
FROM 3D PRINTED PARTS



PAINT INSTRUCTION V1

| COLORS | CORNF / ABBREV | CORNF / MIL COLOR | FEDERAL STANDARDS |
|-----------------|----------------|-------------------|-------------------|
| WHITE | H316 | C316 | FS 17875 |
| SILVER | H8 | C8 | |
| RED | H3 | C3 | |
| SEMIGLOSS BLACK | | C92 | |



PAINT INSTRUCTION V2

| COLORS | CORNF / ABBREV | CORNF / MIL COLOR | FEDERAL STANDARDS |
|------------|----------------|-------------------|-------------------|
| OLIVE DRAB | H304 | C304 | FS 34087 |
| SILVER | H8 | C8 | |
| RED | H3 | C3 | |
| GRAY | H317 | C317 | FS 36231 |

