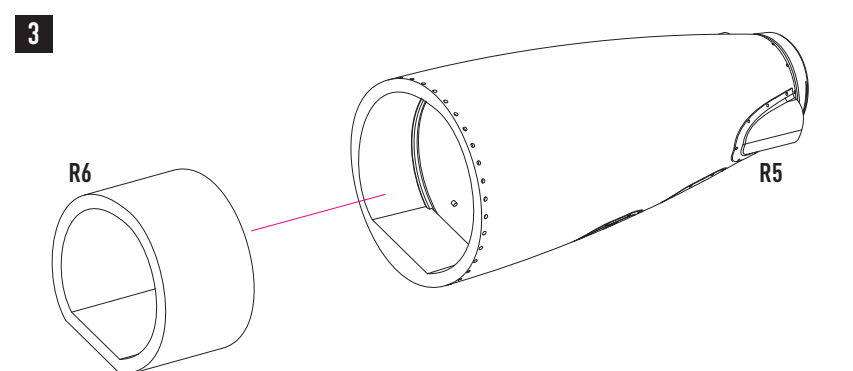
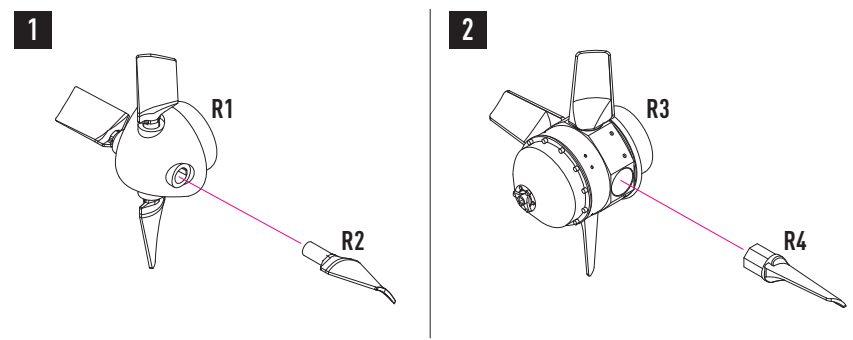
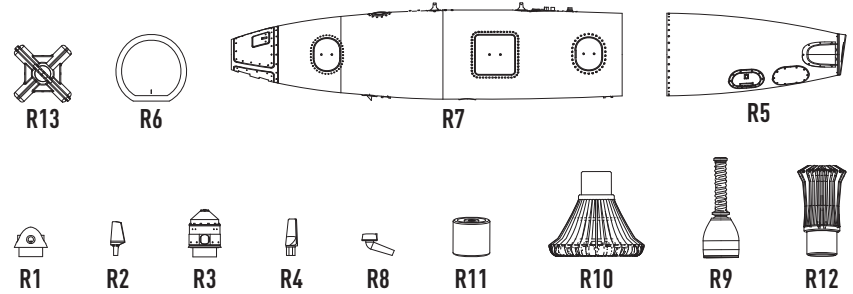


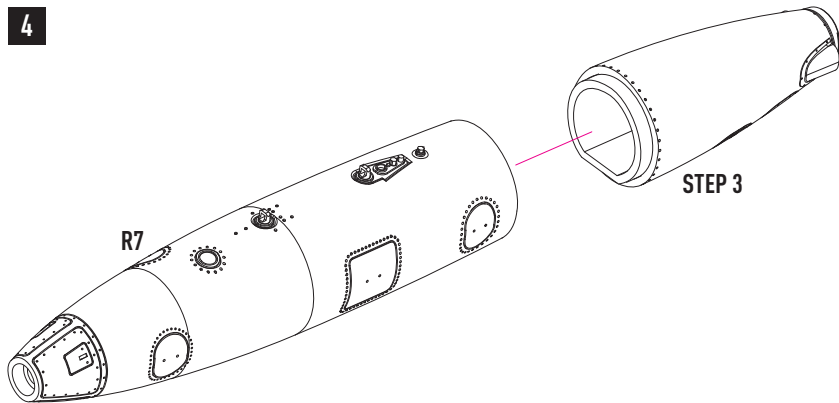
COLORS	GUNZE / ADEOUS	GUNZE / MR.COLOR
LIGHT GHOST GRAY	H308	C308

**DETAILS AFTER REMOVAL
FROM SUPPORTS**

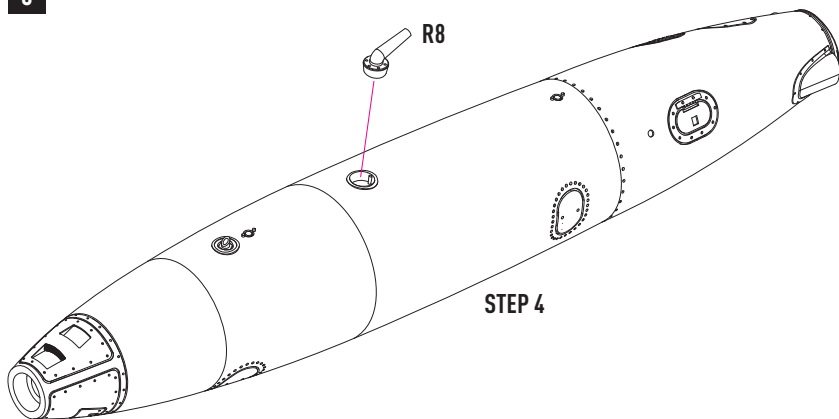
USE A SAW TO REMOVE SUPPORTS
FROM 3D PRINTED PARTS



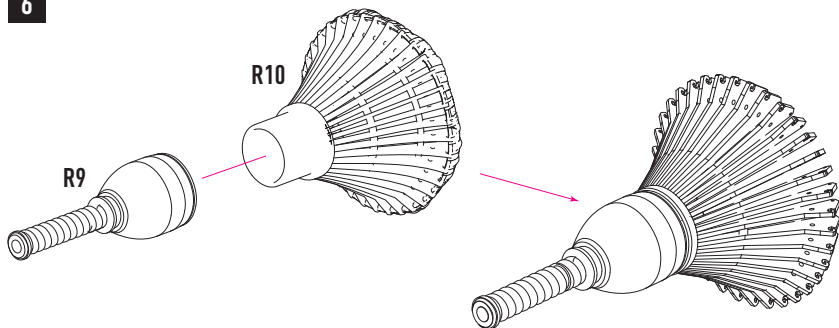
4



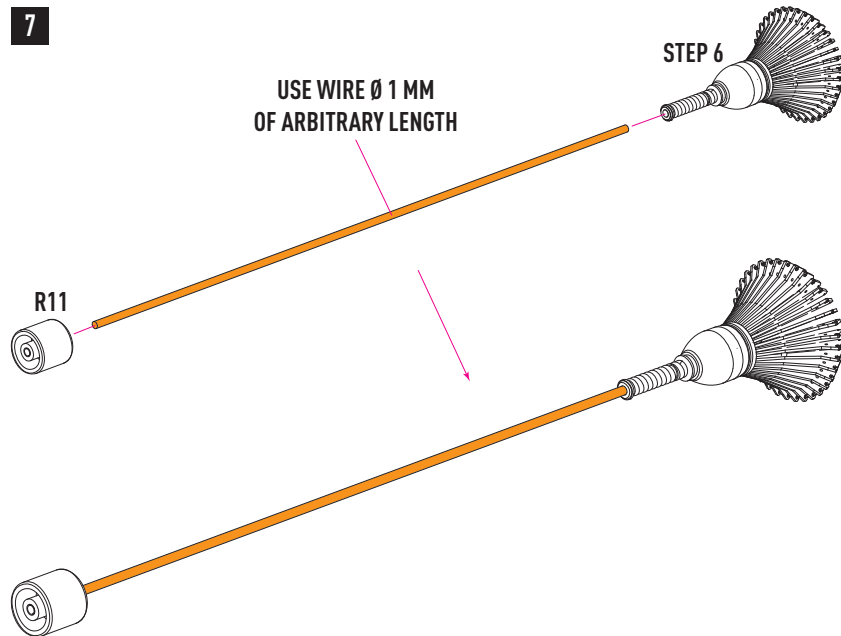
5



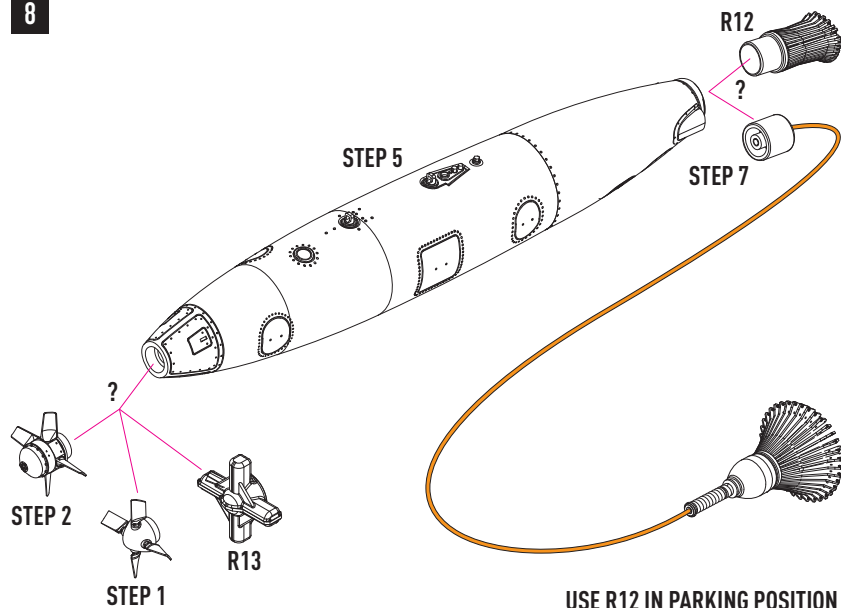
6



7



8



USE R12 IN PARKING POSITION
USE STEP 7 IN FLIGHT WHEN REFUELING