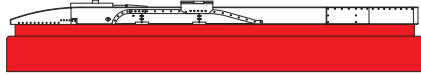
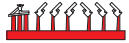


CUT

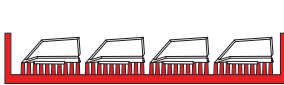
REMOVE PROTECTIVE COVER



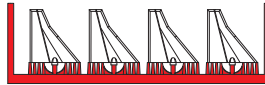
R8 X2



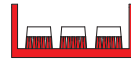
R9 R10 R11



R2 X2



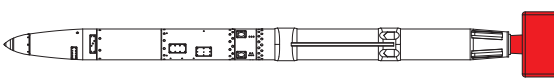
R5 X2



R4



R7 R6

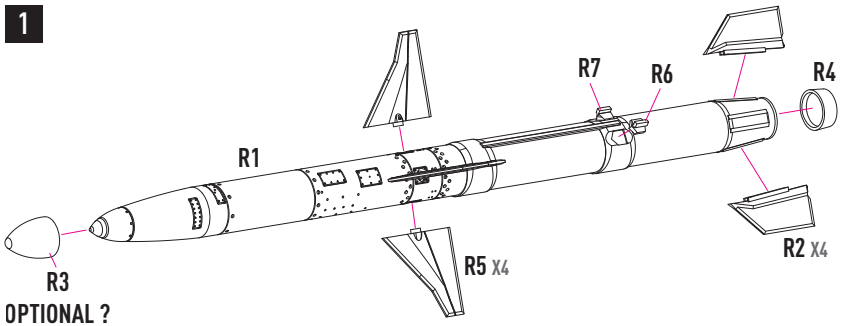


R1 X2

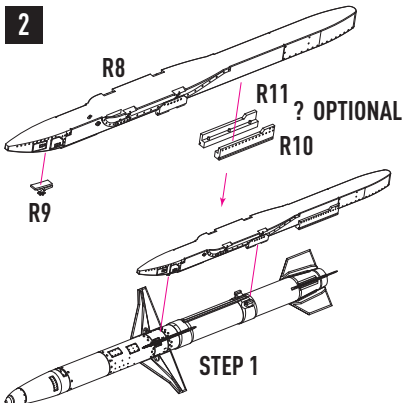


R3

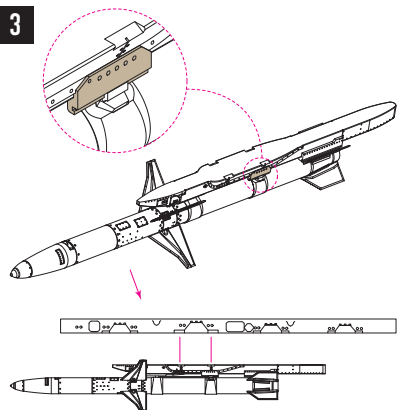
1



2



3

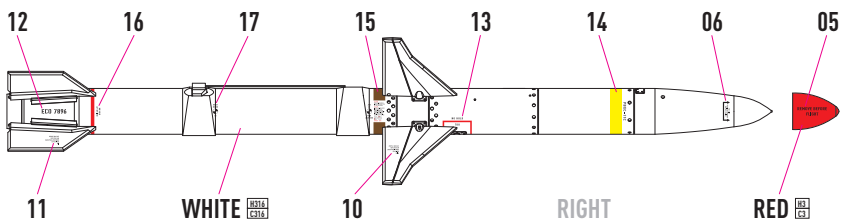


GREEN [H6 C6] OR GRAY [H308 C308]

18

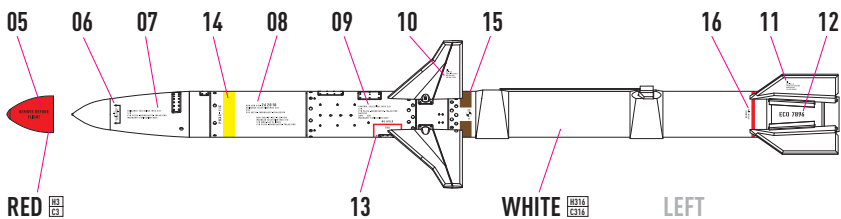
19

20



GREEN [H6 C6] OR GRAY [H308 C308]

18



COLORS	GUNZE / AODEUS	GUNZE / MR.COLOR	FEDERAL STANDARD
WHITE	H316	C316	FS 17875
GRAY	H308	C308	FS 36375
GREEN	H6	C6	
RED	H3	C3	