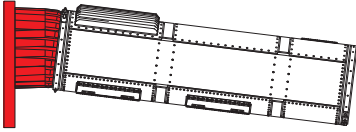
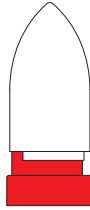


CUT

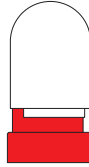
USE A SAW TO REMOVE SUPPORTS
FROM 3D PRINTED PARTS



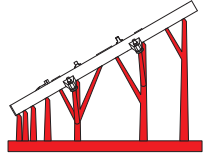
R1



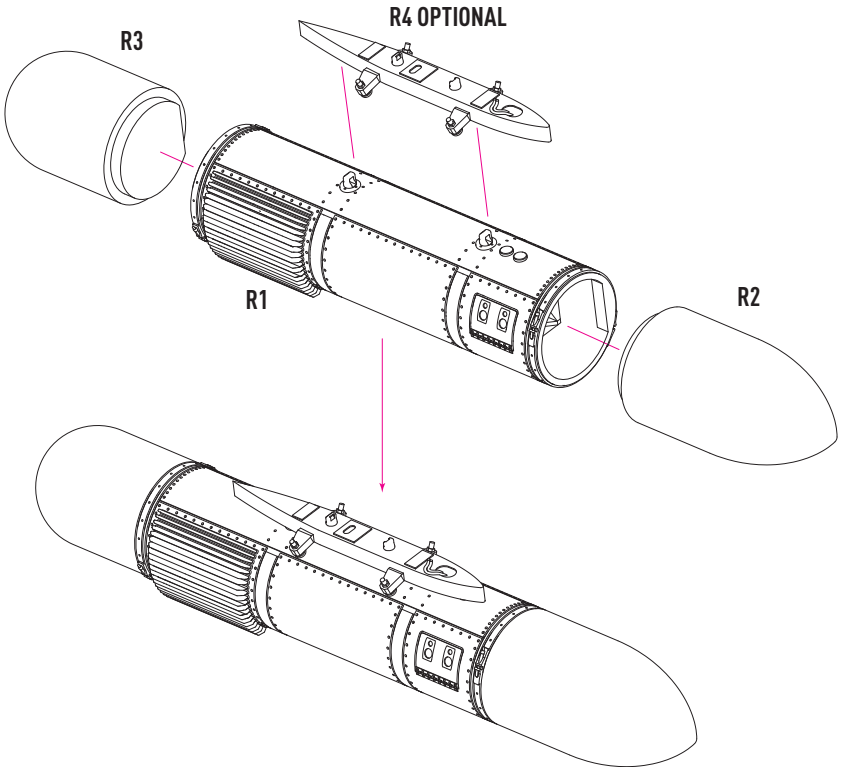
R2



R3



R4



COLORS	GUNZE / ADEGUS	GUNZE / MR.COLOR	FEDERAL STANDARD
GRAY	H308	C308	FS 36375
SILVER	H8	C8	
SEMIGLOSS BLACK		C92	

