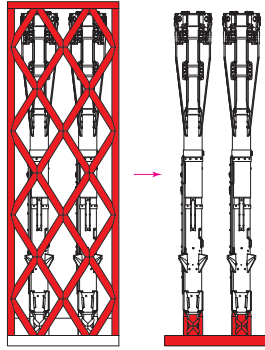
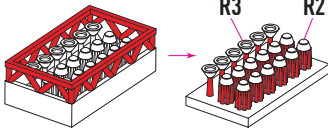


CUT

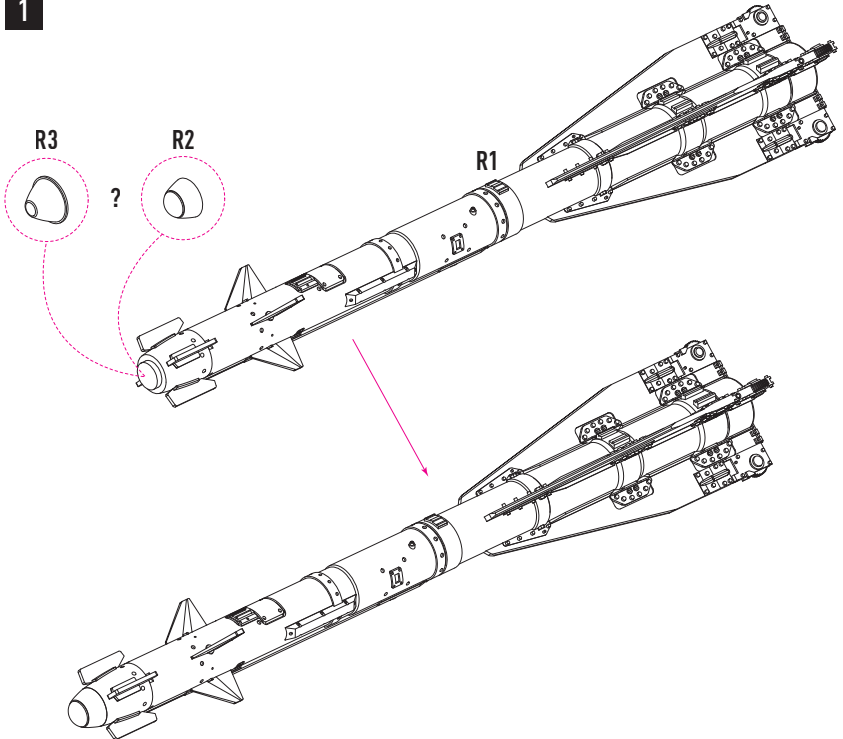
REMOVE PROTECTIVE COVER

USE A SAW TO REMOVE SUPPORTS
FROM 3D PRINTED PARTS



R1 x2

1



R-60M (AA-8 APHID) MISSILES

(4 PCS) MIG-21, MIG-23, MIG-25, MIG-29,
MIG-31, SU-17, SU-24, SU-25, YAK-38

DECAL INSTRUCTION **RS48-0405**

COLORS	GUNZE / AERUS	GUNZE / MR.COLOR
WHITE	H316	C316
GREEN	H6	C6
RED	H3	C3
SILVER	H8	C8
RED BROWN	H47	C41

