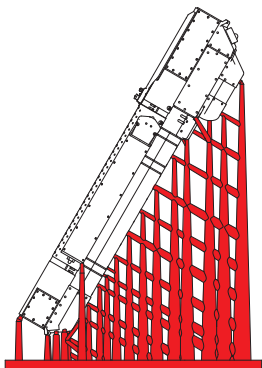
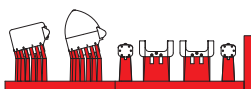


CUT



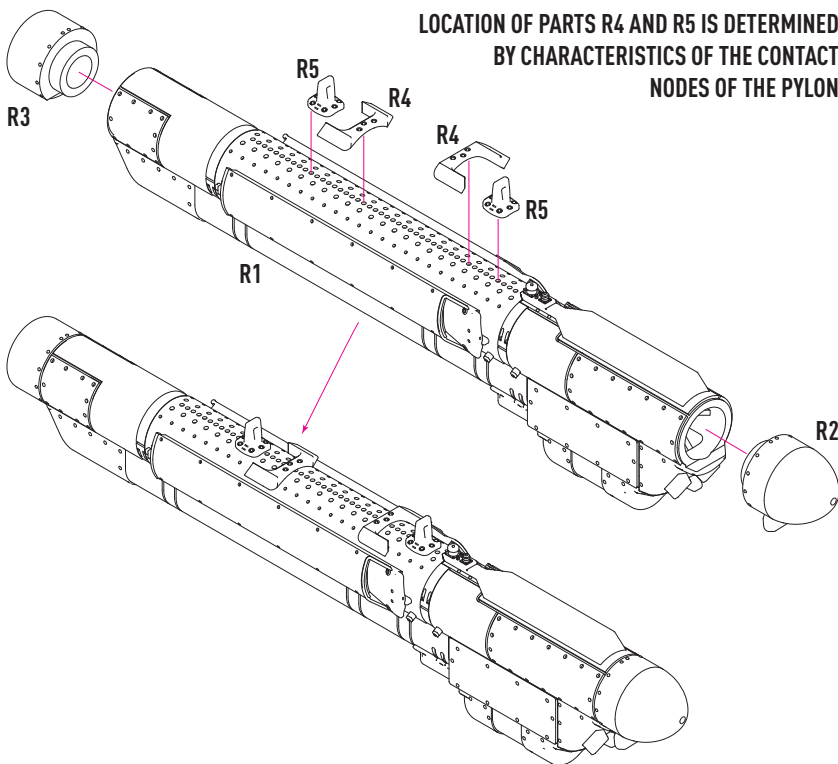
R1

USE A SAW TO REMOVE SUPPORTS  
FROM 3D PRINTED PARTS



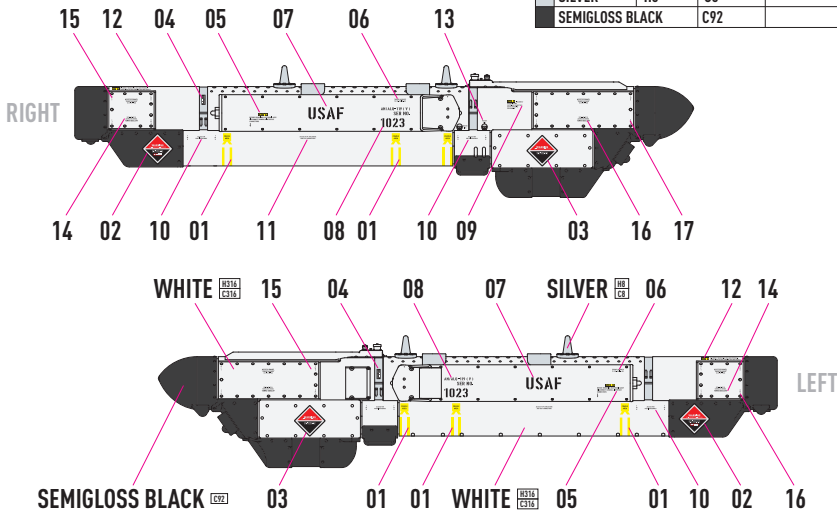
R3 R2 R5 R4 R5

LOCATION OF PARTS R4 AND R5 IS DETERMINED  
BY CHARACTERISTICS OF THE CONTACT  
NODES OF THE PYLON



### PAINT INSTRUCTION V1

COLORS	GUNZE / ADEGUS	GUNZE / MR.COLOR	FEDERAL STANDARD
WHITE	H316	C316	FS 17875
SILVER	H8	C8	
SEMIGLOSS BLACK	C92		



### PAINT INSTRUCTION V2

COLORS	GUNZE / ADEGUS	GUNZE / MR.COLOR	FEDERAL STANDARD
OLIVE DRAB	H304	C304	FS 34087
SILVER	H8	C8	
SEMIGLOSS BLACK	C92		

