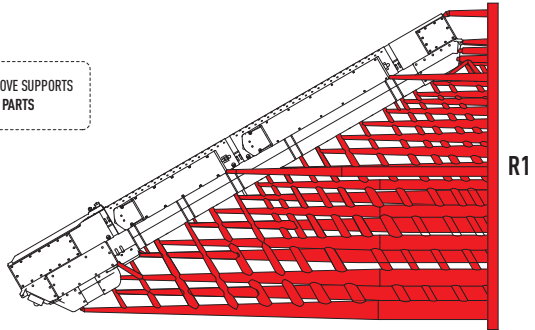
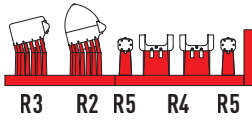
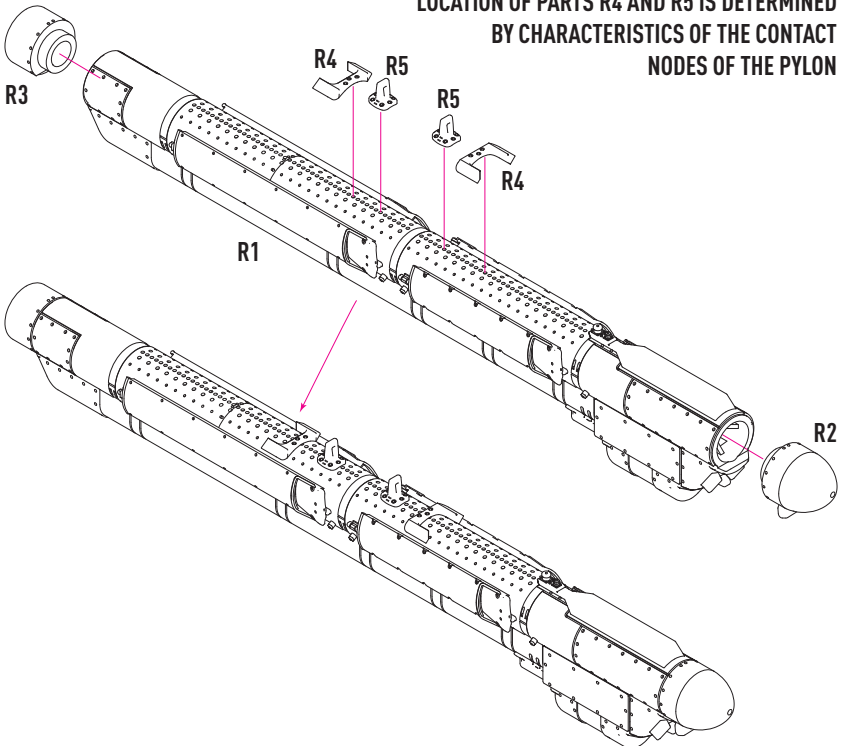


CUT

USE A SAW TO REMOVE SUPPORTS
FROM 3D PRINTED PARTS

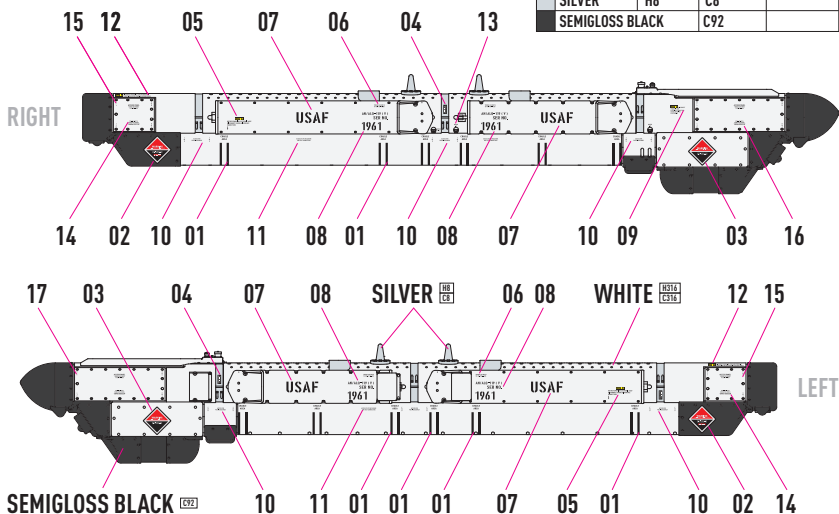


LOCATION OF PARTS R4 AND R5 IS DETERMINED
BY CHARACTERISTICS OF THE CONTACT
NODES OF THE PYLON



PAINT INSTRUCTION V1

COLORS	GUNZE / ADEGUS	GUNZE / MR.COLOR	FEDERAL STANDARD
WHITE	H316	C316	FS 17875
SILVER	H8	C8	
SEMIGLOSS BLACK		C92	



PAINT INSTRUCTION V2

COLORS	GUNZE / ADEGUS	GUNZE / MR.COLOR	FEDERAL STANDARD
OLIVE DRAB	H304	C304	FS 34087
SILVER	H8	C8	
SEMIGLOSS BLACK		C92	

