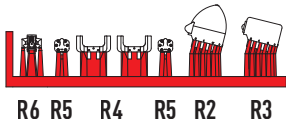
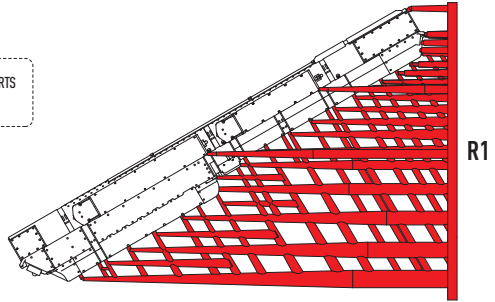
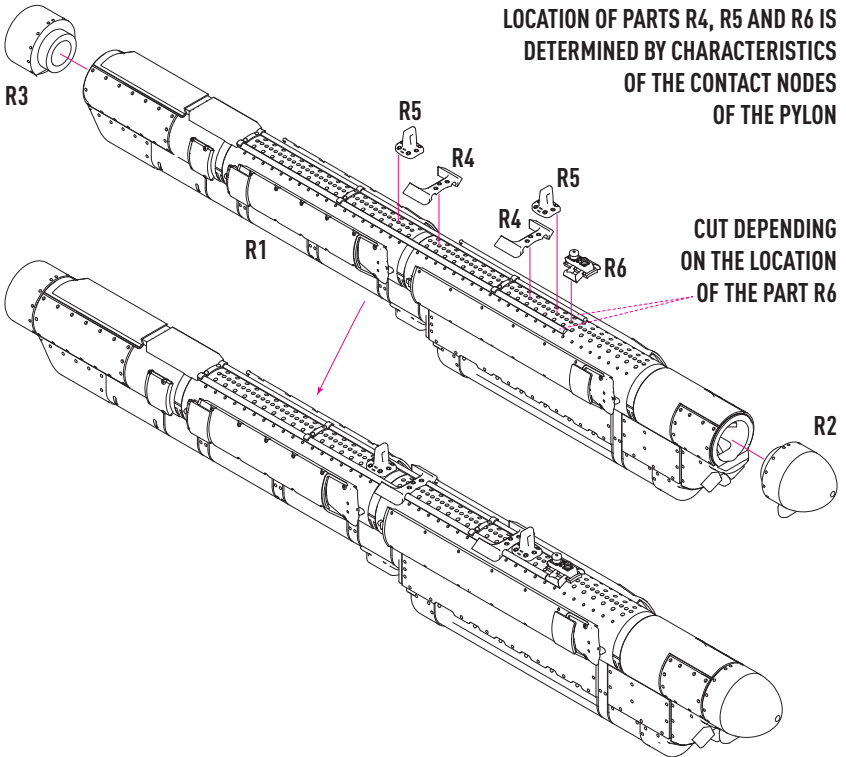


CUT

USE A SAW TO REMOVE SUPPORTS
FROM 3D PRINTED PARTS



LOCATION OF PARTS R4, R5 AND R6 IS
DETERMINED BY CHARACTERISTICS
OF THE CONTACT NODES
OF THE PYLON



COLORS	GUNZE / AGEKUS	GUNZE / MR.COLOR	FEDERAL STANDARD
WHITE	H316	C316	FS 17875
SILVER	H8	C8	
SEMIGLOSS BLACK		C92	

