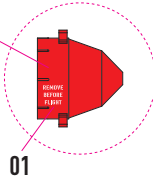


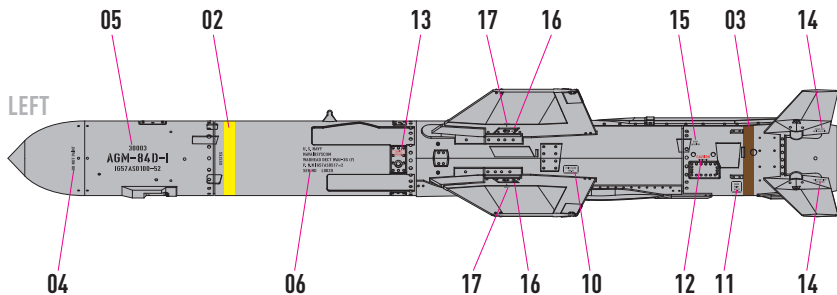
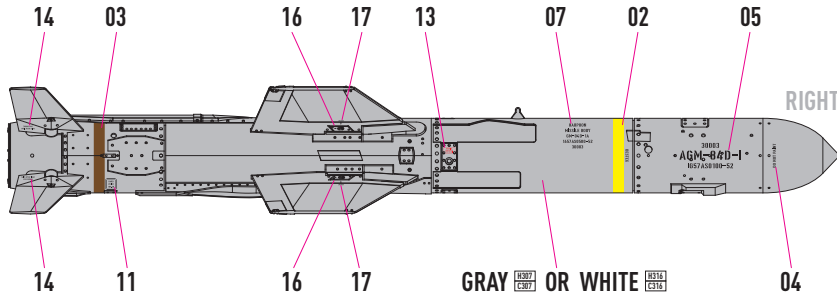
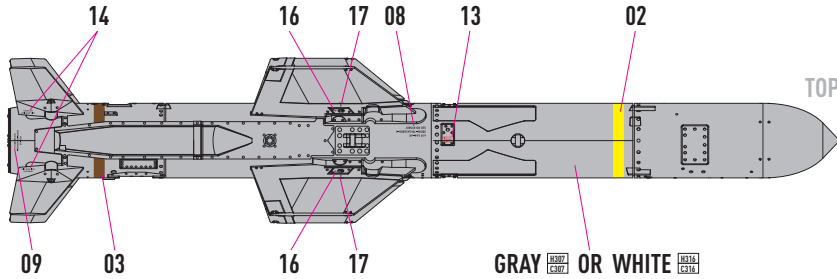
# DECAL INSTRUCTION

COLORS	GUNZE / AGEUS	GUNZE / MR.COLOR	FEDERAL STANDARD
GRAY	H307	C307	FS 36320
WHITE	H316	C316	FS 17875
RED	H3	C3	

RED



01



GRAY OR WHITE

GRAY OR WHITE

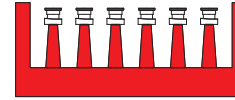


# AGM-84 (A, D) "HARPOON" MISSILES

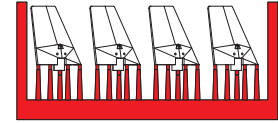
(2 PCS) P-8A, A-6, A-7E, B-1B, B-52H, F-111C, F-16, F/A-18, F-20, NIMROD MR2, AV-8B, P-3, S-3

INSTRUCTION **RS48-0416**

## CUT

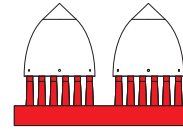


R20

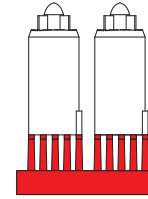


R15 x2

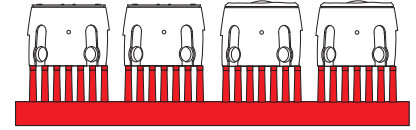
USE A SAW TO REMOVE SUPPORTS FROM 3D PRINTED PARTS



R1

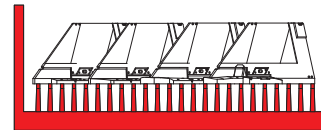


R6



R7

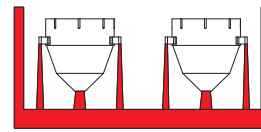
R8



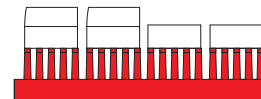
R11 R12 R13 R14 x2



R16 R17 R18 R19 x2



R9

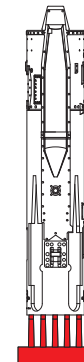


R2

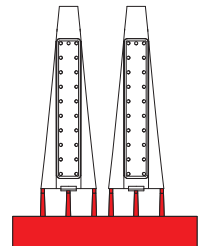
R4



R3 x2



R5 x2



R10

general issues: [info@reskit.com.ua](mailto:info@reskit.com.ua) / claim resolution: [claims@reskit.com.ua](mailto:claims@reskit.com.ua)

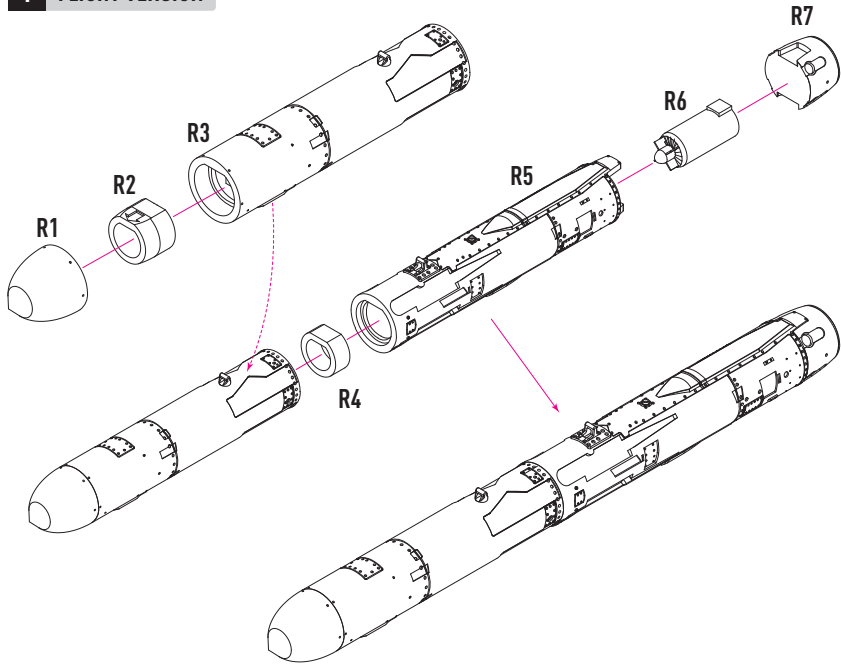
**RESKIT-MODELS.COM**

[fb.com/reskit.official](https://fb.com/reskit.official)

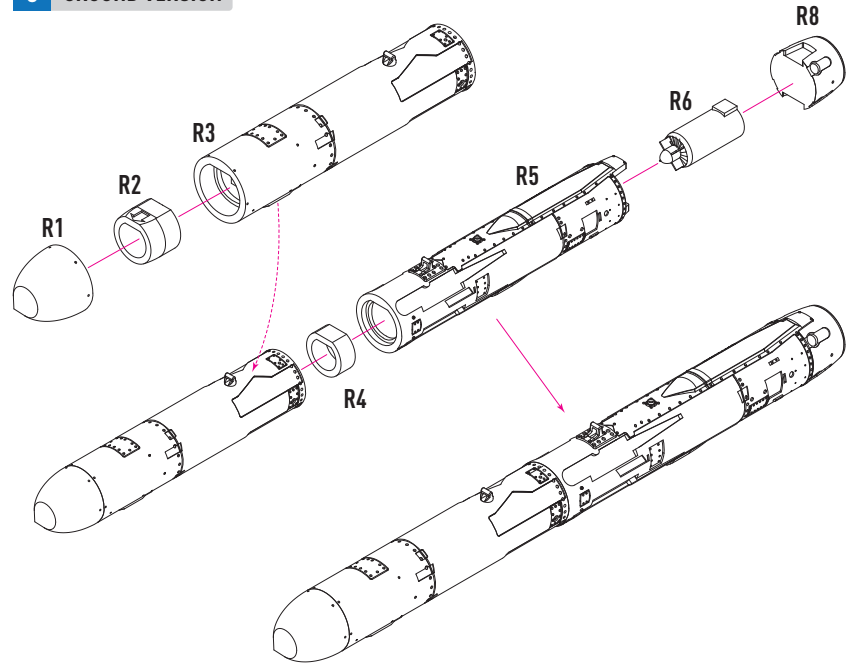
[instagram.com/reskit\\_official](https://instagram.com/reskit_official)

[pinterest.com/reskit\\_official](https://pinterest.com/reskit_official)

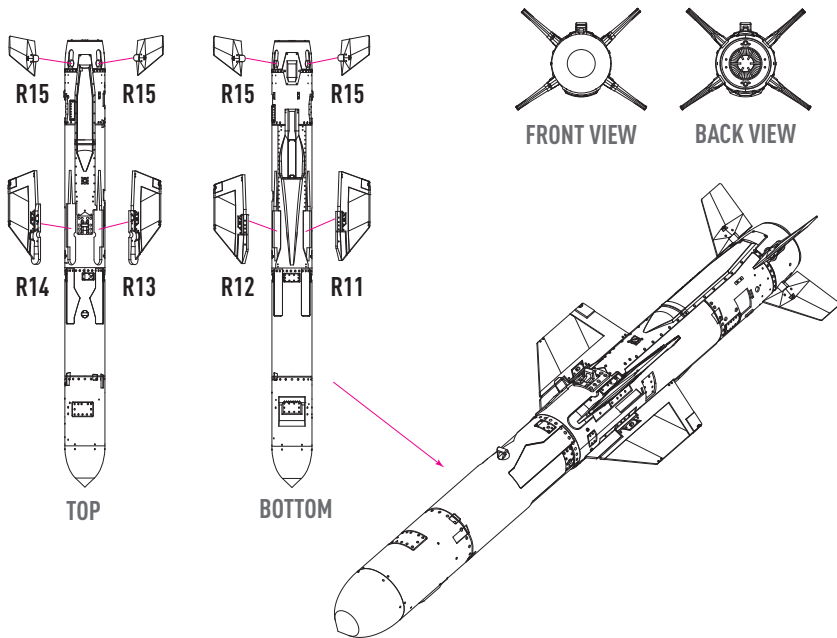
**1 FLIGHT VERSION**



**3 GROUND VERSION**



**2**



**4**

